

MEF EMC-FILTER 3-PHASE 1-STAGE WITH NEUTRAL

I:3A U:4x440 VAC snap on

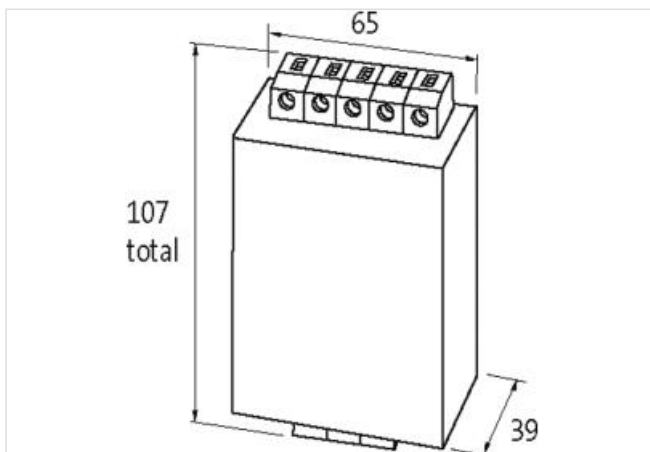
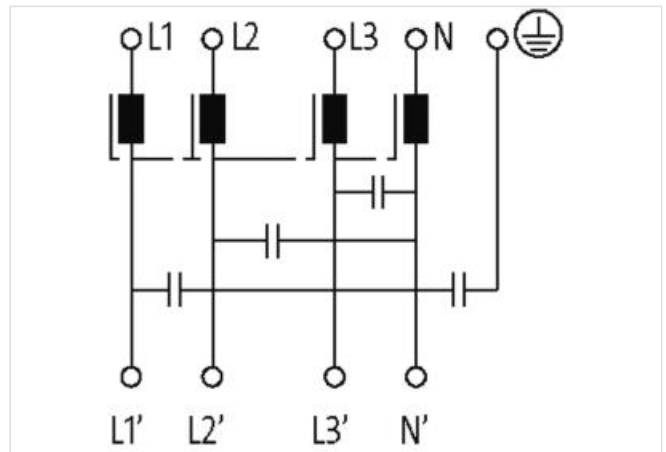
Current: 3 A
DIN-rail mountable
with neutral

Attenuation curves on request.

The 3-phase and 1-stage MEF 3/1 line suppression filters are used in the range 0.1...30 MHz to suppress conducted interference on mains and supply lines. They are suitable for TN-S, TN-C-S and TT networks. The best filter effect is achieved with short connecting lines (recommendation: PE connection < 10 cm) with the largest possible cross-sections. The mains suppression filters act bidirectionally (in both directions). They reduce symmetrical and asymmetrical interference, which often occurs in electronically controlled three-phase devices due to mains interference.

[Link to Product](#)

Illustration



Product may differ from Image



Commercial data

ECLASS-6.0

27130806

ECLASS-6.1	27420201
ECLASS-7.0	27420290
ECLASS-8.0	27420290
ECLASS-9.0	27420290
ECLASS-10.1	27420208
ECLASS-11.1	27420208
ECLASS-12.0	27420208
ETIM-5.0	EC002498
customs tariff number	85363010
GTIN	4048879029292
Packaging unit	1

Electrical data

Leakage current max.	3 mA @ 250 V AC, 50 Hz
----------------------	------------------------

Electrical data | Supply

Power frequency	50 ... 60 Hz
Operating voltage AC max.	440 V

Electrical data | Input

Phase number input	3
--------------------	---

Electrical data | Output

Overload current	18× (IN t) max. 0.5 ms; 1.5× (IN t) max. 1 min. (1× per hour)
------------------	---

Installation

Connection cross-section solid min.	0,2 mm ²
Connection cross-section solid max.	6 mm ²
Connection cross-section stranded/fine-stranded min.	0,2 mm ²
Connection cross-section stranded/fine-stranded max.	4 mm ²
AWG number solid min.	24
AWG number solid max.	9
AWG number stranded/fine stranded min.	24
AWG number stranded/fine stranded max.	11

Device protection | Electrical

Duration insulation test voltage	2 s
Insulation test voltage L-L	2,1 kV
Insulation test voltage L-N	2,7 kV

Mechanical data | Mounting data

Mounting method	geschnappt
Suitable for mounting type	Mounting rail TH35, (EN 60715)
Height	107 mm
Width	56 mm
Depth	39 mm

Environmental characteristics | Climatic

Climatic category (EN IEC 60068-1)	25/085/21
------------------------------------	-----------

Connection type 3

Connection	Screw terminals SK
Family construction form	terminal
Gender	female
Color contact carrier	green-yellow
No. of poles	1
PIN 1	PE
Connection	Screw terminals SK

Family construction form	terminal
Gender	female
Color contact carrier	gray
No. of poles	4
PIN 1	L 1
PIN 2	L 2
PIN 3	L 3
PIN 4	N
Connection	Screw terminals SK
Family construction form	terminal
Gender	female
Color contact carrier	gray
No. of poles	4
PIN 1	L 1'
PIN 2	L 2'
PIN 3	L 3'
PIN 4	N'