

## CUBE20S DIGITAL OUTPUT MODULE DO2

2x24VDC 0,5A

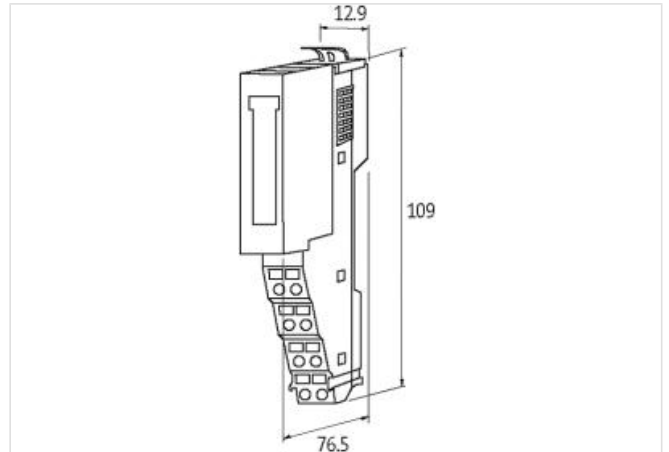
Expansion module  
Digital outputs  
DO2 - (E)

### [Link to Product](#)

#### Illustration



Product may differ from Image



#### Commercial data

ECLASS-6.0	27242604
ECLASS-6.1	27242604
ECLASS-7.0	27242604
ECLASS-8.0	27242604
ECLASS-9.0	27242604
ECLASS-10.1	27242604
ECLASS-11.1	27242604
ECLASS-12.0	27242604
ETIM-5.0	EC001599
customs tariff number	85389099
GTIN	4048879424288
Packaging unit	1

#### Electrical data | Supply

Norm operating voltage	EN 61131-2
Operating voltage UA DC	24 V
Current consumption max.	55 mA
Total current UA max.	1 A
module supply	via system connection

#### Electrical data | Output

Actuator current UA per output max.	0,5 A
Overload resistant	yes

Short-circuit protected	yes
Output current per pin max.	0,5 A
Output delay time	175 ns
Lamp load	5 W

#### Diagnostics

Diagnostic	Under voltage
Diagnostic via BUS	per module
Diagnostic via LED	per module and channel
Short circuit diagnosis	yes
LED display	Ethernet connection/data traffic
Overload diagnosis	yes

#### Device protection | Electrical

Degree of protection (EN IEC 60529)	IP20
Galvanic separation (operating voltage)	yes
Galvanic separation output/output	yes

#### Mechanical data | Mounting data

Mounting method	geschnappt
Suitable for mounting type	mounting rail, (EN 60715)
Height	109 mm
Width	12,9 mm
Depth	76,5 mm

#### Environmental characteristics | Climatic

Operating temperature min.	0 °C
Operating temperature max.	60 °C
Storage temperature min.	-25 °C
Storage temperature max.	70 °C

#### Connection type 2

Connection type 1	Power
Connection type 2	Power
Connection	Spring clamp terminals FK
Family construction form	terminal
Gender	female
No. of poles	8
PIN 1	n.c.
PIN 2	24 V DC
PIN 3	0 V
PIN 4	24 V DC Sys
PIN 5	n.c.
PIN 6	24 V DC
PIN 7	0 V
PIN 8	0 V Sys
Connection	Spring clamp terminals FK
Family construction form	terminal
Gender	female
No. of poles	8
PIN 1	DO 0
PIN 2	24 V DC
PIN 3	0 V
PIN 5	DO 1
PIN 6	24 V DC
PIN 7	0 V