

Xelity PROFINET Managed Switch 10x 10/100/1000BT IP67 M12L 5P

10-port managed IP67 PROFINET switch Metal

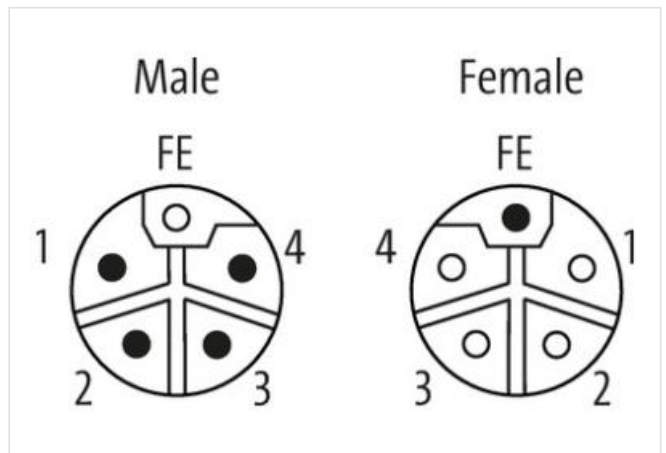
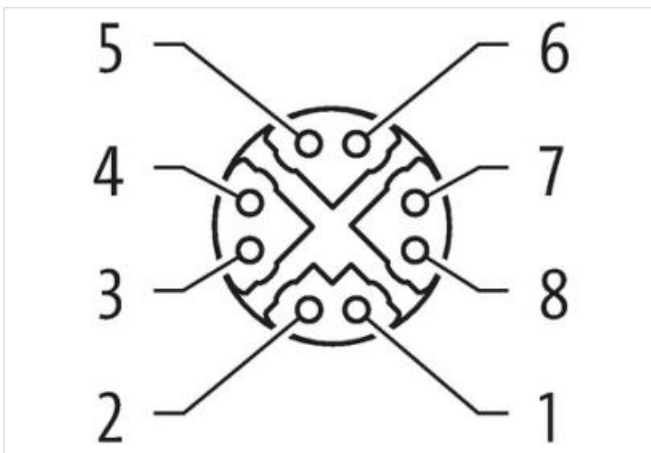
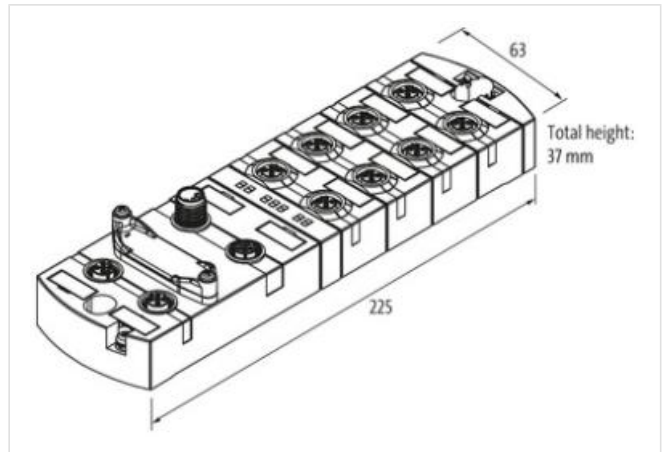
PROFINET - Managed Switch

M12 Power, 5-pole, L-coded

Connection cables are in the online shop under "Connection Technology".

[Link to Product](#)

Illustration



Product may differ from Image



Commercial data

ECLASS-6.1	19170106
ECLASS-7.0	19170106
ECLASS-8.0	19170106
ECLASS-9.0	19170401
ECLASS-10.1	19170401
ECLASS-11.1	19170401
ECLASS-12.0	19170401
customs tariff number	85176200

GTIN	4048879862592
Packaging unit	1
Electrical data Supply	
Operating voltage DC min.	9 V
Operating voltage DC max.	36 V
Industrial communication	
Supported protocol	PROFINET
Data transmission rate max.	1000 MBit/s
Industrial communication Ethernet functionality	
Auto-crossover	yes
Auto-negotiation	yes
duplex	Full duplex
LLDP frames	forwarding
Ring topology	RSTP, MRP, STP
Switch type	managed
Industrial communication Profinet	
FSU (Fast-Start-Up)	no
MRP client	yes
PROFINET Netload Class	III
PROFINET addressing	DCP
PROFINET conformance class	B
PROFINET specification	V2.4
Shared device/input	no
Industrial communication IIoT functions	
Websserver	HTTP, HTTPS
Switch Management	
Addressing	BOOTP/DHCP client, DCP, SSH-Befehlszeile
NAT	1:1
RSTP (IEEE 802.1D-2004, IEC 62439-1)	Default on
Simple Network Management Protocol (SNMP)	v1 + v2c + v3 (default active)
VLAN managed (IEEE 802.1Q)	yes
VLANs max. (IEEE 802.1Q)	64
Time synchronization	NTP client
Diagnostics	
Alarm contact	no
Diagnostic	No voltage
Remote maintenance	Open VPN client
LED display	Ethernet connection/data traffic
Port mirroring	1:1
RMON	yes
SNMP traps	yes
Syslog	yes
Device protection Electrical	
Degree of protection (EN IEC 60529)	IP67
Mechanical data Material data	
Material housing	Metal
Mechanical data Mounting data	
Suitable for mounting type	2-hole screw mounting
Height	37 mm
Width	63 mm

Depth 225 mm

Environmental characteristics | Climatic

Operating temperature min.	-25 °C
Operating temperature max.	70 °C
Derating from	70 °C
Storage temperature min.	-40 °C
Storage temperature max.	85 °C

Connection type 3

Connection type 1	XD1
Connection type 2	XD2
Connection type 3	XF3-XF10
Family construction form	M12
Gender	male
Color contact carrier	gray
Coding	L
No. of poles	5
PIN 1	24 V DC (UB 1) (US)
PIN 2	0 V (UA)
PIN 3	0 V (UB 1) (US)
PIN 4	24 V DC (UA)
PIN 5	PE
Family construction form	M12
Gender	female
Color contact carrier	gray
Coding	L
No. of poles	5
PIN 1	24 V DC (UB 1) (US)
PIN 2	0 V (UA)
PIN 3	0 V (UB 1) (US)
PIN 4	24 V DC (UA)
PIN 5	PE
Family construction form	M12
Gender	female
Color contact carrier	green
Coding	X
No. of poles	8
PIN 1	DA +
PIN 2	DA -
PIN 3	DB +
PIN 4	DB -
PIN 5	DD +
PIN 6	DD -
PIN 7	DC -
PIN 8	DC +