

Xenterra 8TX unmanaged Switch 8 Port 1000Mbit wall mounting

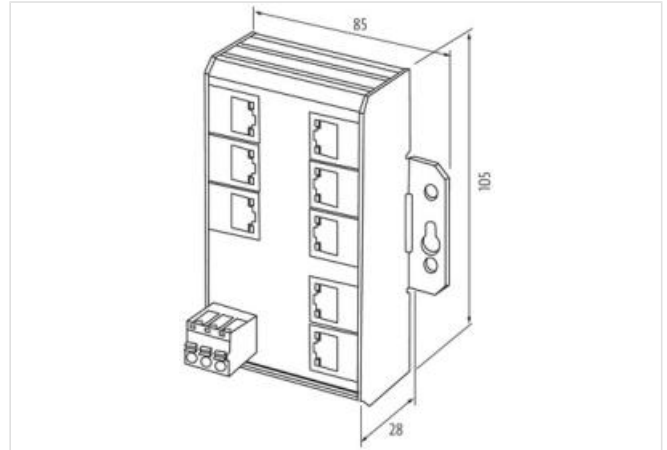
8 Port Unamanged IP20 Gigabit Switch
Wall mounting

[Link to Product](#)

Illustration



Product may differ from Image



Commercial data

| | |
|-----------------------|---------------|
| ECLASS-6.1 | 19170106 |
| ECLASS-7.0 | 19170106 |
| ECLASS-8.0 | 19170106 |
| ECLASS-9.0 | 19170402 |
| ECLASS-10.1 | 19170402 |
| ECLASS-11.1 | 19170402 |
| ECLASS-12.0 | 19170402 |
| customs tariff number | 85176200 |
| GTIN | 4048879873550 |
| Packaging unit | 1 |

Electrical data | Supply

| | |
|---------------------------|------|
| Operating voltage AC min. | 8 V |
| Operating voltage AC max. | 28 V |
| Operating voltage DC min. | 9 V |
| Operating voltage DC max. | 36 V |

Industrial communication

| | |
|-----------------------------|-------------|
| Data transmission rate max. | 1000 MBit/s |
|-----------------------------|-------------|

Industrial communication | Ethernet functionality

| | |
|------------------------------|-------------|
| Auto-crossover | yes |
| Auto-negotiation | yes |
| duplex | Full duplex |
| Switch type | unmanaged |
| VLAN unmanaged (IEEE 802.1Q) | yes |

Diagnostics

| | |
|---------------|----------------------------------|
| Alarm contact | no |
| Diagnostic | No voltage |
| LED display | Ethernet connection/data traffic |

Device protection | Electrical

| | |
|-------------------------------------|------|
| Degree of protection (EN IEC 60529) | IP20 |
|-------------------------------------|------|

Mechanical data | Material data

| | |
|------------------|-------|
| Color housing | black |
| Material housing | Metal |

Mechanical data | Mounting data

| | |
|----------------------------|-------------------------|
| Mounting method | screwed |
| Suitable for mounting type | Schlüssellochaufhängung |
| Height | 105 mm |
| Width | 85 mm |
| Depth | 28 mm |

Environmental characteristics | Climatic

| | |
|----------------------------|--------|
| Operating temperature min. | -40 °C |
| Operating temperature max. | 70 °C |
| Storage temperature min. | -40 °C |
| Storage temperature max. | 85 °C |

Connection type 1

| | |
|--------------------------|--------|
| Connection type 1 | 8 |
| Family construction form | RJ45 |
| Gender | female |
| Color contact carrier | black |
| No. of poles | 8 |
| PIN 1 | TD + |
| PIN 2 | TD - |
| PIN 3 | RD + |
| PIN 4 | n.c. |
| PIN 5 | n.c. |
| PIN 6 | RD - |
| PIN 7 | n.c. |
| PIN 8 | n.c. |