

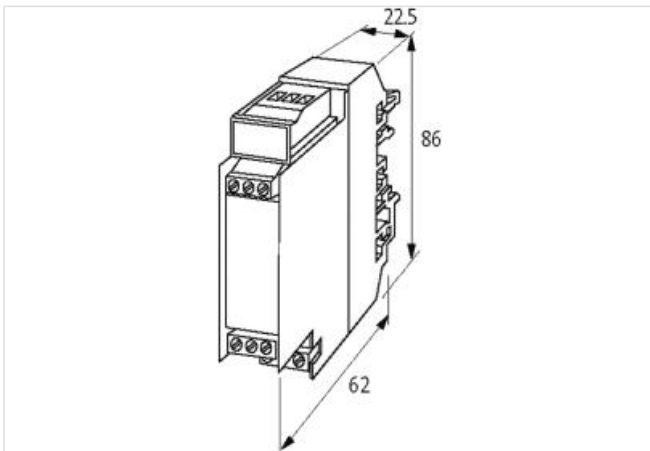
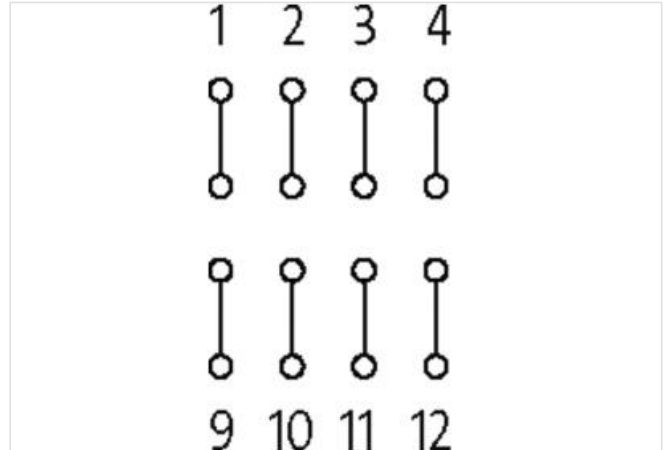
ASSEMBLY MODULE MKS - M 4

Mounting rail / screw-type terminal

4 pairs of solder pins
screw terminals connected to solder pin pairs

Link to Product

Illustration



Product may differ from Image



Commercial data

ECLASS-6.0	27379201
ECLASS-6.1	27141149
ECLASS-7.0	27141149
ECLASS-8.0	27141149
ECLASS-9.0	27141149
ECLASS-10.1	27141149
ECLASS-11.1	27141149
ECLASS-12.0	27141149

ETIM-5.0	EC002780
customs tariff number	85369010
GTIN	4048879041812
Packaging unit	1
Electrical data Supply	
Operating voltage AC max.	250 V
Operating voltage DC max.	250 V
Operating current max.	2,5 A
Device protection Media	
Flame resistance	flame retardant
Mechanical data Material data	
Housing properties	removable cover
Material housing	Plastic
Mechanical data Mounting data	
Distance of solder pins	30 mm
Mounting method	geschnappt
Suitable for mounting type	Mounting rail TH35, G32, (EN 60715)
Height	68 mm
Width	22,5 mm
Depth	65 mm
Environmental characteristics Climatic	
Operating temperature min.	-20 °C
Operating temperature max.	60 °C
Connection type 1	
Connection	Screw terminals SK
Family construction form	terminal
Gender	female
No. of poles	8