

MCS-B POWER SUPPLY 1-PHASE,

IN: 90-265VAC OUT: 24V/0,6ADC

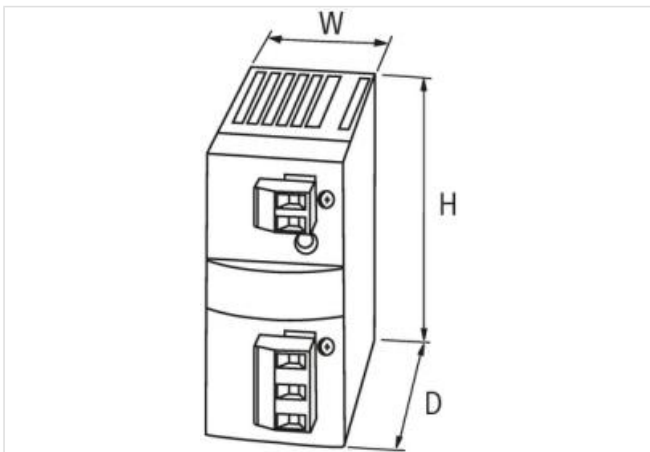
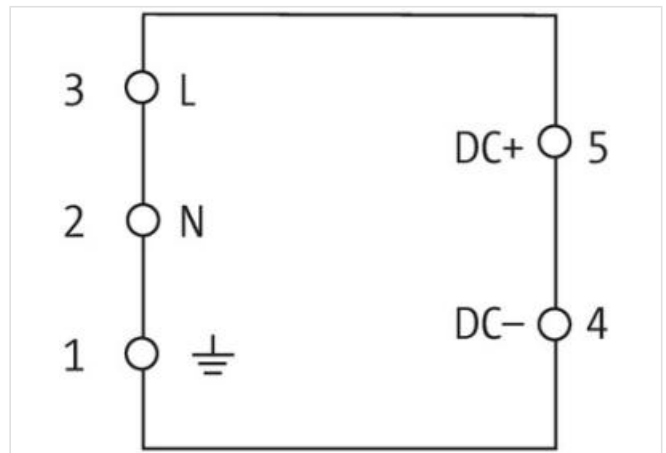
INPUT: 90...265 V AC

OUTPUT: 24 V DC +3/-1%

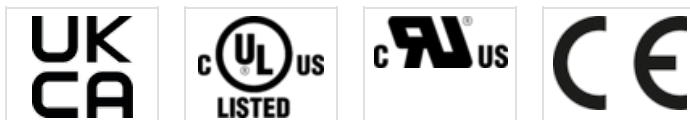
Current: 0.6 A

Mains failure bridging min.

min. 25 ms (100 V AC); min. 150 ms (230 V AC)

[Link naar het product](#)**Afbeelding**

Product van afwijken van afbeelding

**Commerciële gegevens**

ECLASS-6.0	27049002
ECLASS-6.1	27049002
ECLASS-7.0	27049002
ECLASS-8.0	27049002
ECLASS-9.0	27040701

ECLASS-10.1	27040701
ECLASS-11.1	27040701
ECLASS-12.0	27040701
ETIM-5.0	EC002540
Douane tarief nummer	85044095
GTIN	4048879080392
Verpakkingseenheid	1

Electrical data

Number of devices parallel connection max.	5
Number of devices series connection max.	2
Parallel connection	yes
Series connection	yes
Security level	SELV

Electrical data | Supply

Power frequency	50 ... 60 Hz
-----------------	--------------

Electrical data | Input

Input voltage 1 AC	100 V
Input voltage 2 AC	230 V
Input voltage AC min.	90 V
Input voltage AC max.	265 V
Input voltage DC min.	110 V
Input voltage DC max.	300 V
Input current at input voltage 1 AC	0,3 A
Input current at input voltage 2 AC	0,2 A
Inrush current max.	20 A
External back-up fuse per phase max.	10 A
Efficiency	81 % @ 100 V AC, 83 % @ 230 V AC

Electrical data | Output

Output voltage DC	24 V
Output voltage DC min.	22 V
Output voltage DC max.	28 V
Output voltage adjustable	yes
Output current	0,6 A
Ripple effective max.	50 mV
Spikes (s-s) max.	350 mV

Device protection | Electrical

Overload protection output	yes
Short-circuit protection output	yes

Mechanical data | Mounting data

Mounting method	geschnappt
Suitable for mounting type	Mounting rail TH35, (EN 60715)
Height	76 mm
Width	38 mm
Depth	87,5 mm

Environmental characteristics | Climatic

Operating temperature min.	-25 °C
Operating temperature max.	50 °C
Derating from	50 °C
Storage temperature min.	-25 °C
Storage temperature max.	85 °C
Relative humidity min. (operation)	5 %

Relative humidity max. (operation) 95 % no condensation

Connection type 2

Connection Spring clamp terminals FK

Family construction form terminal

Gender female

Color contact carrier green

No. of poles 2

PIN 1 -

PIN 2 +

Connection Spring clamp terminals FK

Family construction form terminal

Gender female

Color contact carrier green

No. of poles 3

PIN 1 PE

PIN 2 N

PIN 3 L