

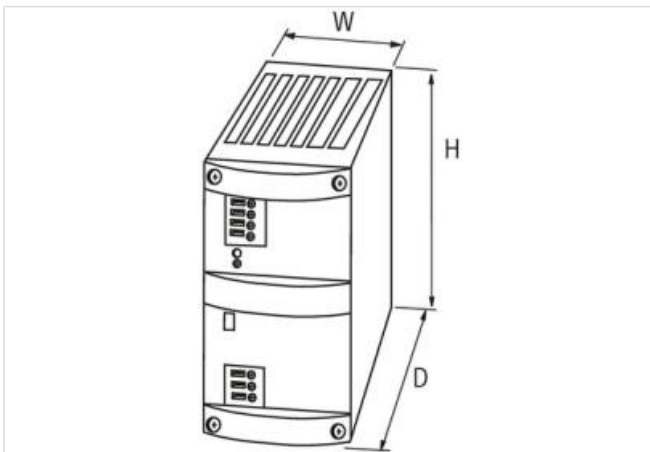
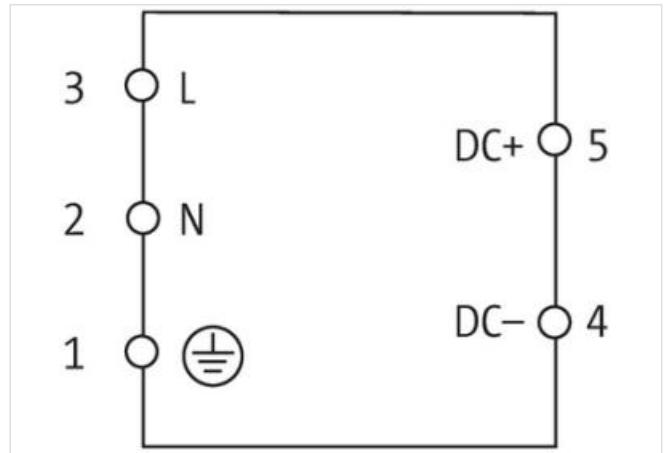
MCS-B POWER SUPPLY 1-PHASE,

IN: 100-265VAC OUT: 24V/7,5ADC

INPUT: 100...265 V AC
 OUTPUT: 24 V DC +3/-1%
 Current: 7.5 A
 Mains failure bridging min.
 min. 14 ms (115 V AC); min. 80 ms (230 V AC)

[Link to Product](#)

Illustration



Product may differ from Image



Commercial data

ECLASS-6.0	27049002
ECLASS-6.1	27049002
ECLASS-7.0	27049002
ECLASS-8.0	27049002
ECLASS-9.0	27040701

ECLASS-10.1	27040701
ECLASS-11.1	27040701
ECLASS-12.0	27040701
ETIM-5.0	EC002540
customs tariff number	85044083
GTIN	4048879080361
Packaging unit	1

Electrical data

Number of devices parallel connection max.	5
Number of devices series connection max.	2
Parallel connection	yes
Series connection	yes
Security level	SELV

Electrical data | Supply

Power frequency	50 ... 60 Hz
-----------------	--------------

Electrical data | Input

Input voltage 1 AC	115 V
Input voltage 2 AC	230 V
Input voltage AC min.	100 V
Input voltage AC max.	265 V
Input current at input voltage 1 AC	2,9 A
Input current at input voltage 2 AC	1,6 A
Inrush current max.	37 A
External back-up fuse per phase max.	10 A
Efficiency	87 %

Electrical data | Output

Output voltage DC	24 V
Output voltage DC min.	22 V
Output voltage DC max.	28 V
Output voltage adjustable	yes
Output current	7,5 A
Ripple effective max.	20 mV
Spikes (s-s) max.	100 mV

Device protection | Electrical

Overload protection output	yes
Short-circuit protection output	yes

Mechanical data | Mounting data

Mounting method	geschnappt
Suitable for mounting type	Mounting rail TH35, (EN 60715)
Height	115 mm
Width	54 mm
Depth	145 mm

Environmental characteristics | Climatic

Operating temperature min.	-25 °C
Operating temperature max.	40 °C
Derating from	40 °C
Storage temperature min.	-25 °C
Storage temperature max.	85 °C
Relative humidity min. (operation)	5 %
Relative humidity max. (operation)	95 % no condensation