

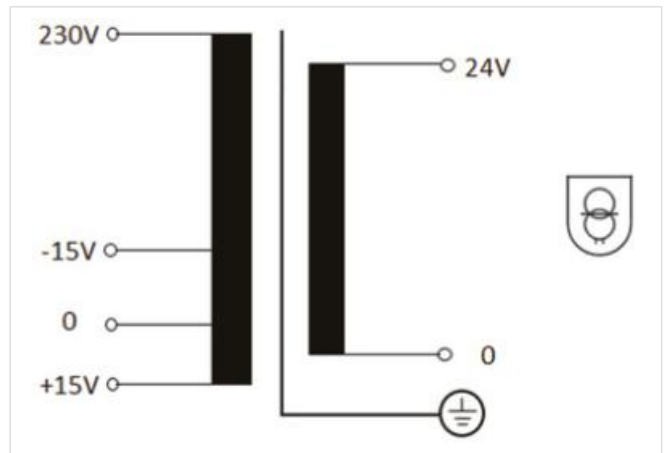
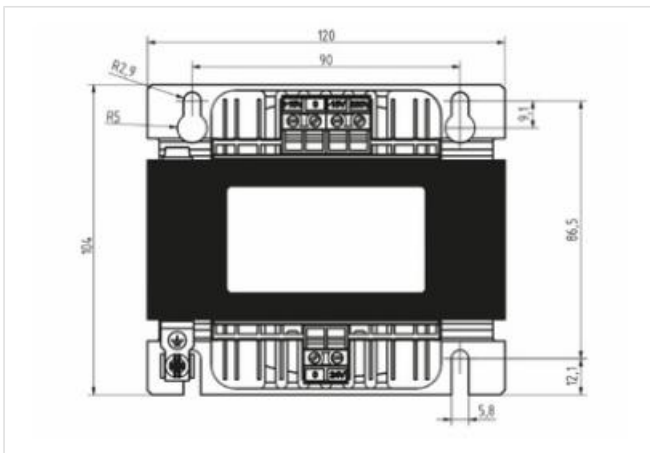
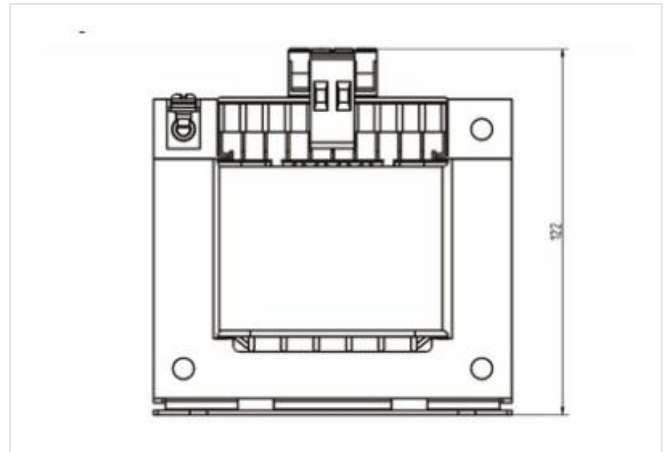
MTS 1-Phase safety and isolating transformer

P: 400VA IN: 230VAC +/- 15VAC OUT: 24VAC

The MST series comprises single-phase safety transformers/isolating transformers of the protection class I and protection degree IP00 with double insulation between the primary and secondary windings for general use in industrial applications.

[Link to Product](#)

Illustration



Product may differ from Image



Electrical data | Supply

Power frequency 50/60 Hz

Electrical data | Input

Input voltage AC 230 V

Current input AC 2 A

Max. inrush current 36 A

Short-circuit current 43 A

Electrical data Output	
Output voltage AC	24 V
Mechanical data Mounting data	
Mounting method	screwed
Suitable for mounting type	Schlüssellochauhängung
Mounting dimension a	86,5 mm
Mounting dimension b	90 mm
Mounting dimension c	2,9 mm
Height	104 mm
Width	120 mm
Depth	122 mm
Diameter bore	2,9 mm
Length bore	9,1 mm
Environmental characteristics Climatic	
Ambient temperature min.	-20 °C
Ambient temperature max.	40 °C
Storage temperature min.	-30 °C
Storage temperature max.	80 °C
Conformity	
Product standard	EN 61558-1, EN 61558-2-6, EN 62041
EMC	2014/30/EU
Commercial data	
customs tariff number	85043180
GTIN	4065909078778
Packaging unit	1