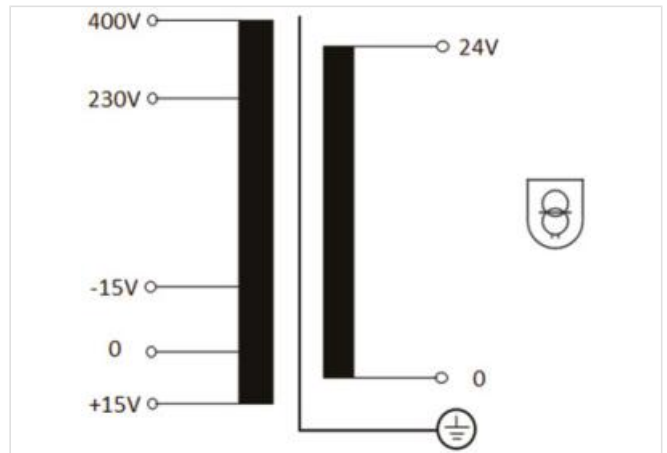
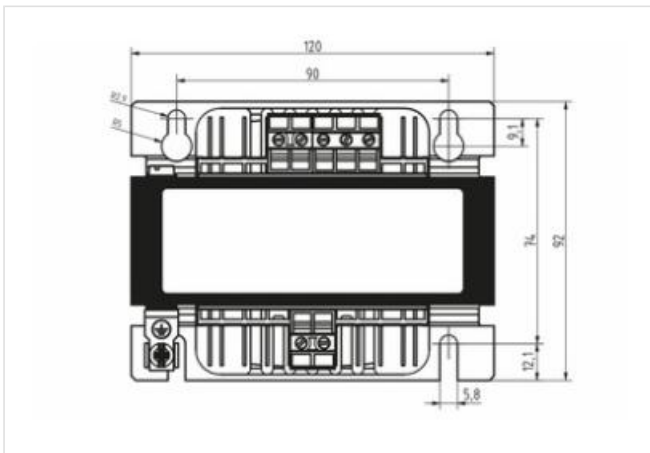
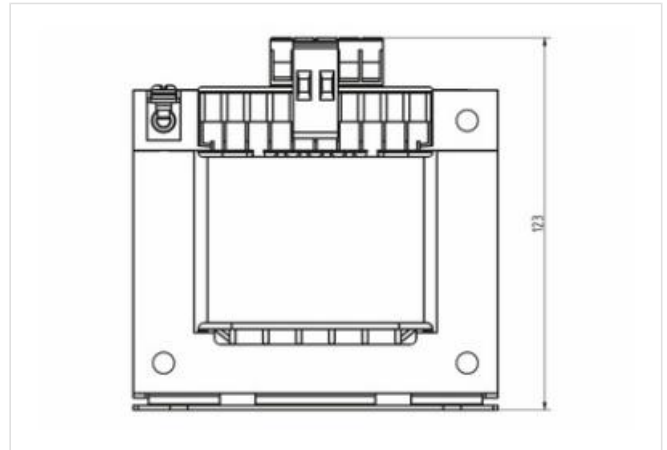
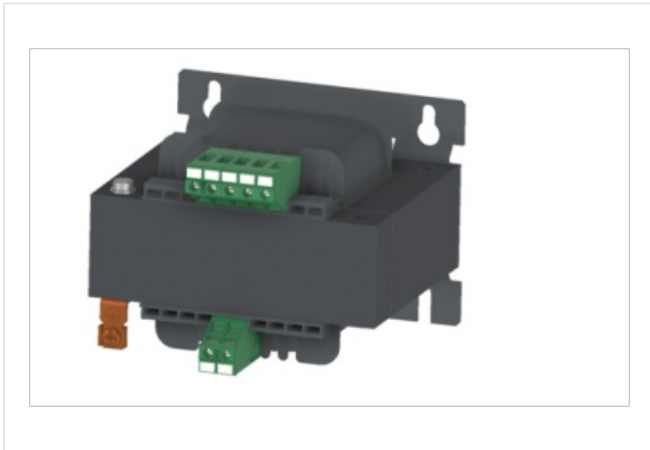


MET 0250-230-400±15V/24 UL

The MET series comprises single-phase safety transformers/isolating transformers of the protection class I and protection degree IP00 with double insulation between the primary and secondary windings for general use in industrial applications.

[Link naar het product](#)**Afbeelding**

Product van afwijken van afbeelding

**Electrical data | Supply**

Power frequency 50/60 Hz

Electrical data | Input

Input voltage 1 AC	230 V
Input voltage 2 AC	400 V
Input current at input voltage 1 AC	1,2 A
Input current at input voltage 2 AC	0,7 A
Inrush current at input voltage 1	23 A
Inrush current at input voltage 2	13,2 A

Short-circuit current at input voltage 1	23,8 A
Short-circuit current at input voltage 2	13,7 A

Electrical data | Output

Output voltage AC	24 V
-------------------	------

Mechanical data | Mounting data

Mounting method	screwed
Suitable for mounting type	Schlüssellochauhängung
Mounting dimension a	74 mm
Mounting dimension b	90 mm
Mounting dimension c	2,9 mm
Height	92 mm
Width	120 mm
Depth	123 mm
Diameter bore	2,9 mm
Length bore	9,1 mm

Environmental characteristics | Climatic

Ambient temperature min.	-20 °C
Ambient temperature max.	50 °C
Storage temperature min.	-30 °C
Storage temperature max.	80 °C

Conformity

Product standard	EN 61558-1, EN 61558-2-6, EN 62041
EMC	2014/30/EU

Commerciële gegevens

Douane tarief nummer	85043180
GTIN	4065909078679
Verpakkingseenheid	1