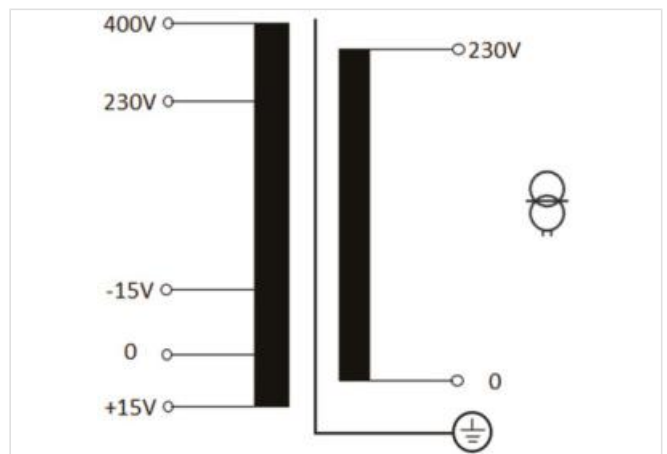
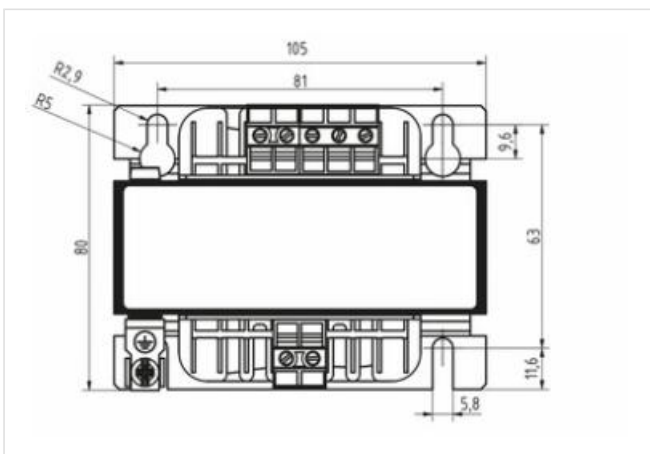
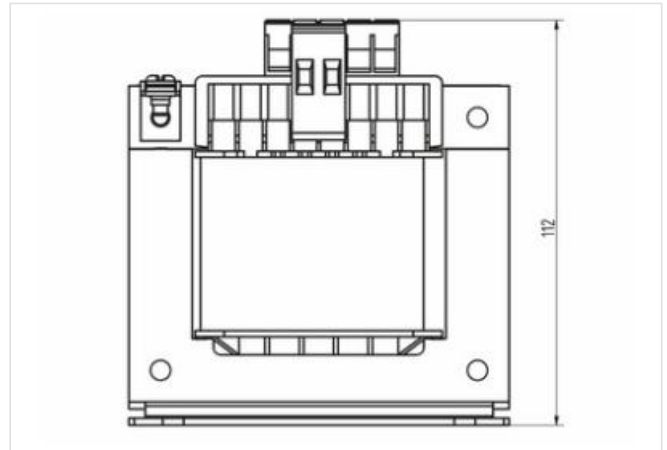
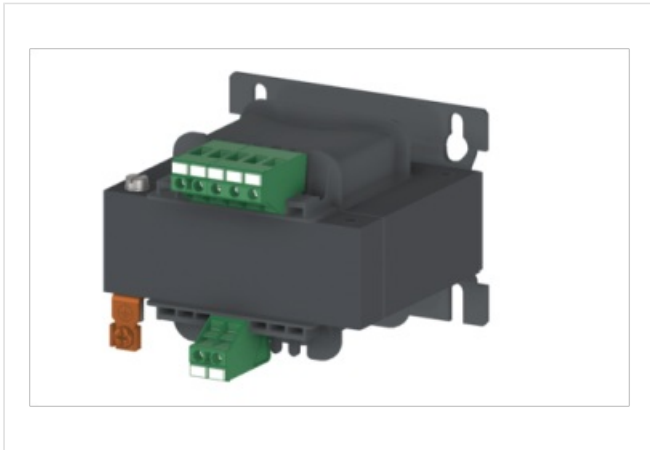


MET 0160-230-400±15V/230 UL

The MET series comprises single-phase control transformers/isolating transformers of the protection class I and protection degree IP00 with double insulation between the primary and secondary windings for general use in industrial applications.

[Link naar het product](#)

Afbeelding



Product van afwijken van afbeelding



Electrical data | Supply

Power frequency 50/60 Hz

Electrical data | Input

Input voltage 1 AC	230 V
Input voltage 2 AC	400 V
Input current at input voltage 1 AC	0,8 A
Input current at input voltage 2 AC	0,46 A
Inrush current at input voltage 1	15 A
Inrush current at input voltage 2	8,7 A

Short-circuit current at input voltage 1	13 A
--	------

Short-circuit current at input voltage 2	7,5 A
--	-------

Electrical data | Output

Output voltage AC	230 V
-------------------	-------

Mechanical data | Mounting data

Mounting method	screwed
-----------------	---------

Suitable for mounting type	Schlüssellochauhängung
----------------------------	------------------------

Mounting dimension a	63 mm
----------------------	-------

Mounting dimension b	81 mm
----------------------	-------

Mounting dimension c	2,9 mm
----------------------	--------

Height	80 mm
--------	-------

Width	105 mm
-------	--------

Depth	112 mm
-------	--------

Diameter bore	2,9 mm
---------------	--------

Length bore	9,6 mm
-------------	--------

Environmental characteristics | Climatic

Ambient temperature min.	-20 °C
--------------------------	--------

Ambient temperature max.	50 °C
--------------------------	-------

Storage temperature min.	-30 °C
--------------------------	--------

Storage temperature max.	80 °C
--------------------------	-------

Conformity

Product standard	EN 61558-1, EN 61558-2-4, EN 62041
------------------	------------------------------------

EMC	2014/30/EU
-----	------------

Commerciële gegevens

Douane tarief nummer	85043180
----------------------	----------

GTIN	4065909078891
------	---------------

Verpakkingseenheid	0
--------------------	---