

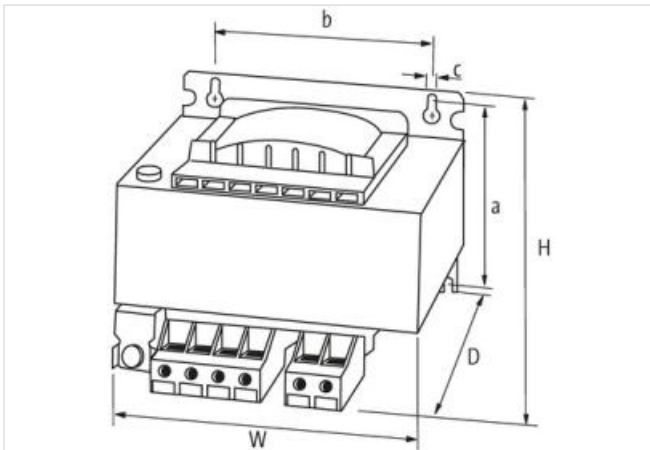
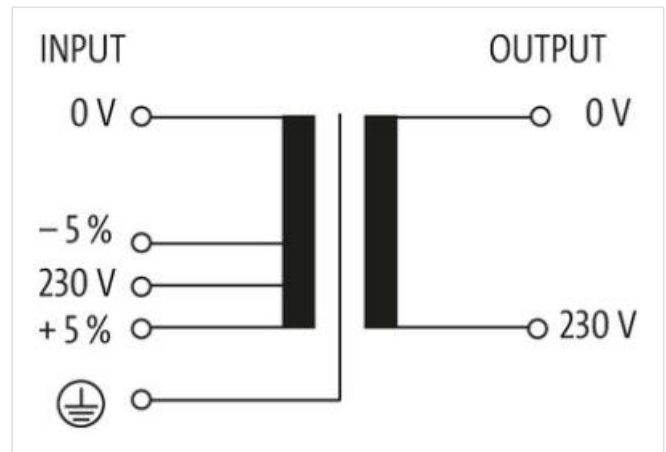
MET 1-PHASE CONTROL AND ISOLATION TRANSFORMER

P: 1500VA IN: 230VAC+/- 5% OUT: 230VAC

Single-phase - Control and Isolation Transformers
1500 VA
Spring clamp terminals
Isolation class T 60/B

[Link to Product](#)

Illustration



Product may differ from Image



Commercial data

ECLASS-6.0	27031302
ECLASS-6.1	27031302
ECLASS-7.0	27031302
ECLASS-8.0	27031302
ECLASS-9.0	27031302
ECLASS-10.1	27031302

ECLASS-11.1	27031302
ECLASS-12.0	27031302
ETIM-5.0	EC002486
customs tariff number	85043200
GTIN	4048879066341
Packaging unit	1

Electrical data | Supply

Power frequency	50 ... 60 Hz
-----------------	--------------

Electrical data | Input

Input voltage AC	230 V
Input voltage AC min.	218,5 V
Input voltage AC max.	241,5 V
Current input AC	6,9 A
Max. inrush current	85,07 A
Short-circuit current	358,1 A

Electrical data | Output

Output voltage AC	230 V
Output voltage adjustable	no
Power rating AC max.	1500 VA

Device protection | Electrical

Insulation test voltage input - output	4 kV
--	------

Mechanical data | Mounting data

Suitable for mounting type	Schlüssellochaufhängung
Mounting dimension a	141,5 mm
Mounting dimension b	135 mm
Mounting dimension c	7 mm
Height	168 mm
Width	174 mm
Depth	162 mm
Diameter bore	7 mm
Length bore	11 mm

Environmental characteristics | Climatic

Operating temperature min.	-20 °C
Operating temperature max.	60 °C
Storage temperature min.	-40 °C
Storage temperature max.	80 °C

Conformity

Product standard	EN 61558-1, EN 61558-2-4, EN 62041 category 0
------------------	---