

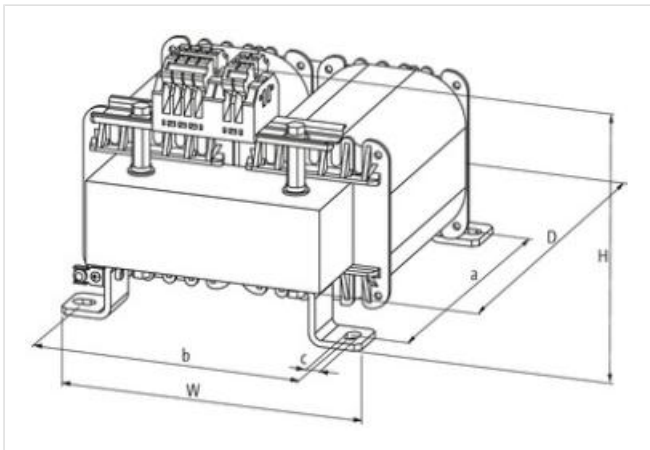
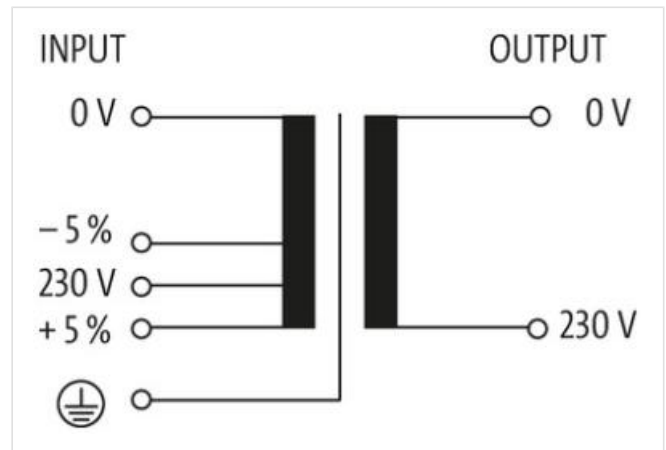
MET 1-PHASE CONTROL AND ISOLATION TRANSFORMER

P: 3000VA IN: 230VAC+/- 5% OUT: 230VAC

Single-phase - Control and Isolation Transformers
3000 VA
Spring clamp terminals
Isolation class T 40/B

[Link to Product](#)

Illustration



Product may differ from Image



Commercial data

| | |
|-------------|----------|
| ECLASS-6.0 | 27031302 |
| ECLASS-6.1 | 27031302 |
| ECLASS-7.0 | 27031302 |
| ECLASS-8.0 | 27031302 |
| ECLASS-9.0 | 27031302 |
| ECLASS-10.1 | 27031302 |

| | |
|-----------------------|---------------|
| ECLASS-11.1 | 27031302 |
| ECLASS-12.0 | 27031302 |
| ETIM-5.0 | EC002486 |
| customs tariff number | 85043200 |
| GTIN | 4048879066303 |
| Packaging unit | 1 |

Electrical data | Supply

| | |
|-----------------|--------------|
| Power frequency | 50 ... 60 Hz |
|-----------------|--------------|

Electrical data | Input

| | |
|-----------------------|---------|
| Input voltage AC | 230 V |
| Input voltage AC min. | 218,5 V |
| Input voltage AC max. | 241,5 V |
| Current input AC | 13,6 A |
| Max. inrush current | 209,9 A |
| Short-circuit current | 623,9 A |

Electrical data | Output

| | |
|---------------------------|---------|
| Output voltage AC | 230 V |
| Output voltage adjustable | no |
| Power rating AC max. | 3000 VA |

Device protection | Electrical

| | |
|--|------|
| Insulation test voltage input - output | 4 kV |
|--|------|

Mechanical data | Mounting data

| | |
|----------------------------|--------------------|
| Suitable for mounting type | Long-hole mounting |
| Mounting dimension a | 200 mm |
| Mounting dimension b | 174 mm |
| Mounting dimension c | 9 mm |
| Height | 195 mm |
| Width | 198 mm |
| Depth | 250 mm |
| Diameter bore | 9 mm |
| Length bore | 14 mm |

Environmental characteristics | Climatic

| | |
|----------------------------|--------|
| Operating temperature min. | -20 °C |
| Operating temperature max. | 40 °C |
| Storage temperature min. | -40 °C |
| Storage temperature max. | 80 °C |

Conformity

| | |
|------------------|---|
| Product standard | EN 61558-1, EN 61558-2-4, EN 62041 category 0 |
|------------------|---|