

MTS 1-PHASE CONTROL AND ISOLATION TRANSFORMER

P: 63VA IN: 230/400VAC OUT: 230VAC

Single-phase - Control and Isolation Transformers

63 VA

Spring clamp terminals

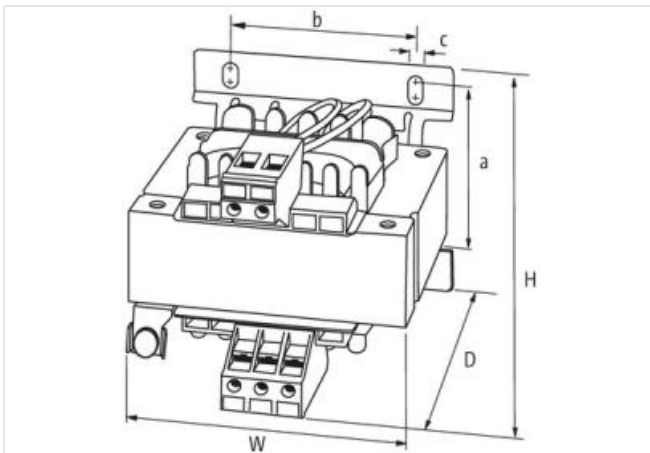
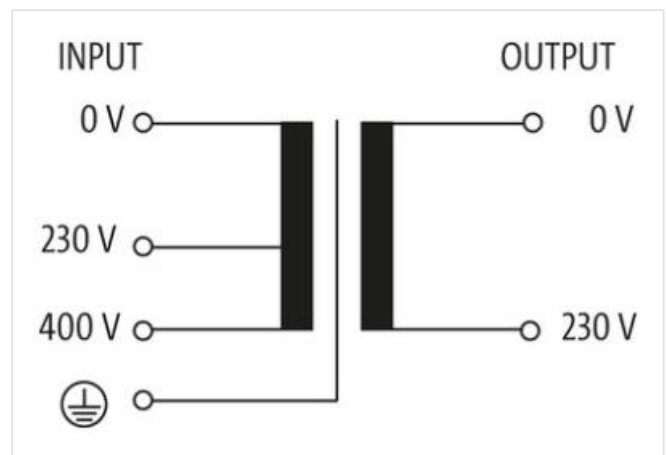
Isolation class T 40/B

Protection IP20

Other voltages on request.

[Link naar het product](#)

Afbeelding



Product van afwijken van afbeelding



Commerciële gegevens

ECLASS-6.0	27031302
ECLASS-6.1	27031302
ECLASS-7.0	27031302
ECLASS-8.0	27031302

ECLASS-9.0	27031302
ECLASS-10.1	27031302
ECLASS-11.1	27031302
ECLASS-12.0	27031302
ETIM-5.0	EC002486
Douane tarief nummer	85043180
GTIN	4048879066068
Verpakkingseenheid	1

Electrical data | Supply

Power frequency	50 ... 60 Hz
-----------------	--------------

Electrical data | Input

Input voltage 1 AC	230 V
Input voltage 2 AC	400 V
Input current at input voltage 1 AC	0,32 A
Input current at input voltage 2 AC	0,18 A
Inrush current at input voltage 1	2 A
Inrush current at input voltage 2	1,15 A
Short-circuit current at input voltage 1	2,64 A
Short-circuit current at input voltage 2	1,52 A

Electrical data | Output

Output voltage AC	230 V
Output voltage adjustable	no
Power rating AC max.	63 VA

Device protection | Electrical

Insulation test voltage input - output	4 kV
--	------

Mechanical data | Mounting data

Mounting method	geschnappt
Suitable for mounting type	Mounting rail TH35, Long-hole mounting, (EN 60715)
Mounting dimension a	56 mm
Mounting dimension b	56 mm
Mounting dimension c	4,8 mm
Height	78 mm
Width	78 mm
Depth	93 mm
Diameter bore	4,8 mm
Length bore	8,4 mm

Environmental characteristics | Climatic

Operating temperature min.	-20 °C
Operating temperature max.	40 °C
Storage temperature min.	-40 °C
Storage temperature max.	80 °C

Conformity

Product standard	EN 61558-1, EN 61558-2-4, EN 62041 category 0
------------------	---

Connection type 3

Connection type 1	Input
Connection type 2	Output
Connection	Screw terminals SK
Family construction form	terminal
Gender	female
No. of poles	3
PIN 2	230 V

PIN 3	400 V
Connection	Screw terminals SK
Family construction form	terminal
Gender	female
No. of poles	2
PIN 2	230 V
Connection	Screw terminals SK
Family construction form	terminal
Gender	female
Color contact carrier	metallic
No. of poles	1
PIN 1	PE