

**M12 male 0° A-cod. with cable**

PUR 3x0.34 gy UL/CSA 2m

**⚠ NOTICE ⚠****PRODUCT IS DISCONTINUED. PLEASE HAVE A LOOK AT THE ALTERNATIVE PRODUCTS.**

Male straight

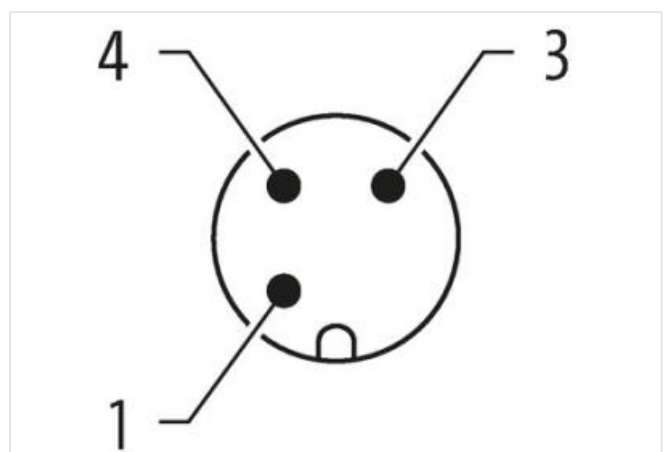
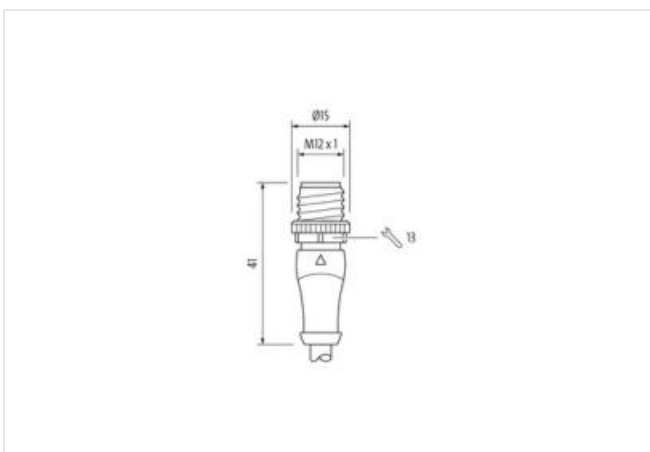
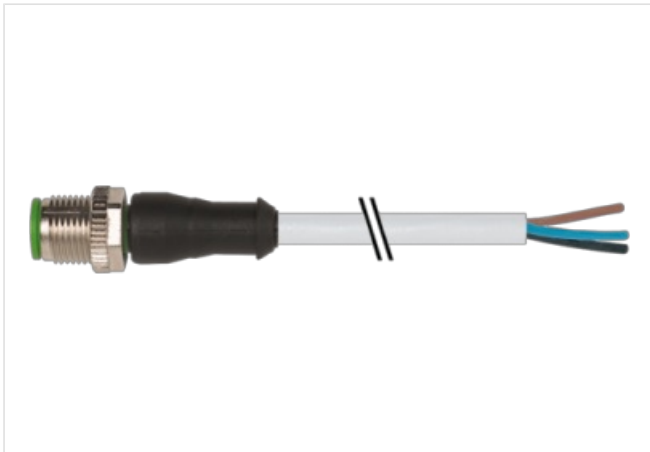
M12, 3-pole

Art-No. 7005 - M12 Lite - (plastic hexagonal screw) on request  
with cable sleeves

Plastic housings with good resistance against chemicals and oils.

The resistance to aggressive media should be individually tested for your application. Further details on request.

Further cable lengths on request.

**[Link naar het product](#)****Afbeelding**

Product van afwijken van afbeelding



|   |                   |
|---|-------------------|
| Cable length                              | 2 m               |
| <b>Side 1</b>                             |                   |
| Tightening torque                         | 0,6 Nm            |
| Mounting method                           | inserted, screwed |
| Family construction form                  | M12               |
| Thread                                    | M12 x 1           |
| suitable for corrugated tube (internal Ø) | 10 mm             |
| Coding                                    | A                 |
| Material                                  | PUR               |
| No. of poles                              | 3                 |
| Width across flats                        | SW13              |
| Degree of protection (EN IEC 60529)       | IP65, IP66K, IP67 |

|                             |               |
|-----------------------------|---------------|
| <b>Side 2</b>               |               |
| Stripping length (jacket)   | 20 mm         |
| <b>Commerciële gegevens</b> |               |
| ECLASS-6.0                  | 27279218      |
| ECLASS-6.1                  | 27279218      |
| ECLASS-7.0                  | 27279218      |
| ECLASS-8.0                  | 27279218      |
| ECLASS-9.0                  | 27060311      |
| ECLASS-10.1                 | 27060311      |
| ECLASS-11.1                 | 27060311      |
| ECLASS-12.0                 | 27060311      |
| ETIM-5.0                    | EC001855      |
| Douane tarief nummer        | 85444290      |
| GTIN                        | 4048879219440 |
| Verpakkingseenheid          | 1             |

|                                    |       |
|------------------------------------|-------|
| <b>Electrical data   Supply</b>    |       |
| Operating voltage AC max.          | 250 V |
| Operating voltage DC max.          | 250 V |
| Operating voltage AC (UL-listed)   | 30 V  |
| Operating voltage DC (UL-listed)   | 30 V  |
| Current operating per contact max. | 4 A   |

|                                  |         |
|----------------------------------|---------|
| <b>Installation   Connection</b> |         |
| Stripping length (jacket)        | 20 mm   |
| Mounting set                     | M12 x 1 |

|  |                   |
|--|-------------------|
| <b>Device protection   Electrical</b>  |                   |
| Additional condition protection degree | inserted, screwed |
| Pollution Degree                       | 3                 |
| Rated surge voltage                    | 2,5 kV            |
| Material group (IEC 60664-1)           | I                 |

|  |                  |
|--|------------------|
| <b>Mechanical data   Material data</b> |                  |
| Coating locking                        | Nickeled         |
| Coating of fitting                     | nickel plated    |
| Locking material                       | Zinc die-casting |
| Material screw connection              | Zinc die-casting |

|  |                                       |
|--|---------------------------------------|
| <b>Mechanical data   Mounting data</b> |                                       |
| Mounting method                        | inserted, screwed, Shaking protection |

|   |        |
|---|--------|
| <b>Environmental characteristics   Climatic</b> |        |
| Operating temperature min.                      | -25 °C |

|  |  |
|--|--|
| Operating temperature max.             | 85 °C  |
| Additional condition temperature range | depending on cable quality   |
| <b>Conformity</b>                      |  |
| Product standard                       | DIN EN 61076-2-101 (M12)   |
| <b>Cable</b>                           |  |
| Cable identification                   | 223  |
| Cable Type                             | 2 (PUR/PVC)  |
| Approval (cable)                       | UL (AWM-Style 20549/1731), CSA; CE conform   |
| Cable weight [g/m]                     | 35,97 g  |
| Material wire                          | Cu wire, bare  |
| Resistor (core)                        | max. 57 Ω/km (20 °C)   |
| Single wire Ø (core)                   | 0.1 mm   |
| Construction (core)                    | 42× 0.1 mm (multi-strand wire class 6)   |
| Diameter (core)                        | 3× 0.34 mm <sup>2</sup>  |
| AWG                                    | similar to AWG 22  |
| Material wire isolation                | PVC  |
| Material property wire insulation      | CFC-, cadmium-, silicone- and lead-free  |
| Shore hardness wire isolation          | 43 ±5 D  |
| Wire-Ø incl. isolation                 | 1.25 mm ±5%  |
| Color/numbering of wires               | br, bk, bl   |
| Stranding combination                  | 3 wires twisted  |
| Shield                                 | no   |
| Material jacket                        | PUR/PVC  |
| Material property (jacket)             | CFC-, halogen-, cadmium-, silicone- and lead-free, matt, low-adhesion, machine easy to process, abrasion-resistant, hydrolysis and microbial resistant |
| Shore hardness jacket                  | 80 ±5 A (PVC-under jacket); 85 ±5 A (PUR-jacket)   |
| Outer-Ø (jacket)                       | 4.3 mm ±5%   |
| Color jacket                           | gray   |
| chemical resistance                    | good resistance to oil, gasoline and chemicals   |
| Nominal voltage                        | UL 300 V AC  |
| Test voltage                           | 2000 V AC  |
| Current load capacity                  | to DIN VDE 0298-4  |
| Temperature range (fixed)              | -30...+80 °C   |
| Temperature range (mobile)             | -5...+80 °C  |
| Bending radius (fixed)                 | 10× outer Ø  |
| Bending radius (dynamic)               | 15× outer Ø  |
| No. of bending cycles (C-track)        | max. 2 Mio. (25 °C)  |
| Travel speed (C-track)                 | max. 3.3 m/s   |
| Acceleration (C-track)                 | max. 5 m/s <sup>2</sup>  |