

**M12 female 90° A-cod. with cable**

PUR 2x0.5 gy UL/CSA+drag ch. 0.3m

Cube67

Female 90°

M12, 2-pole

A-coded

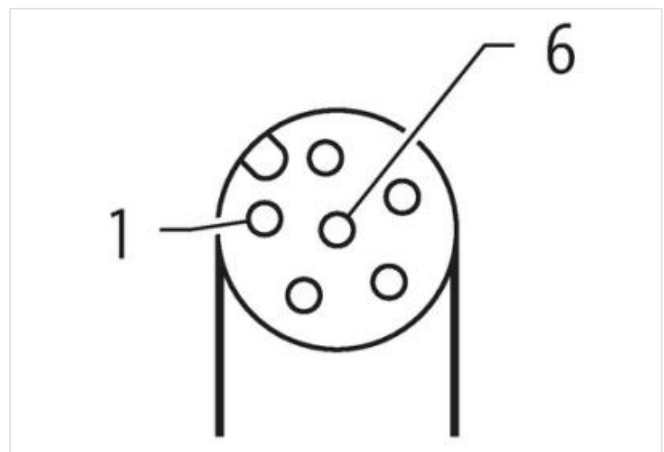
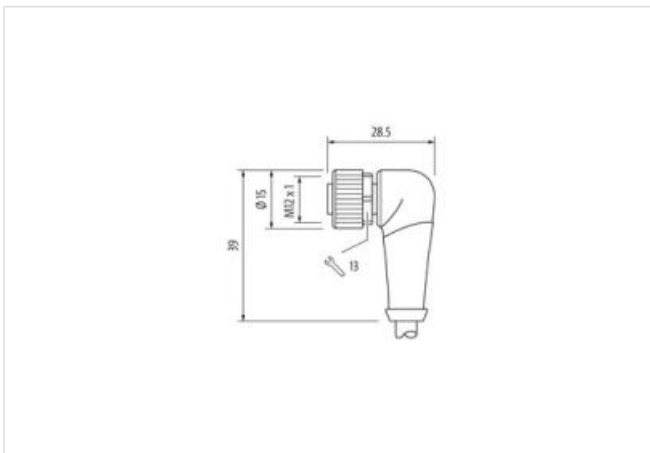
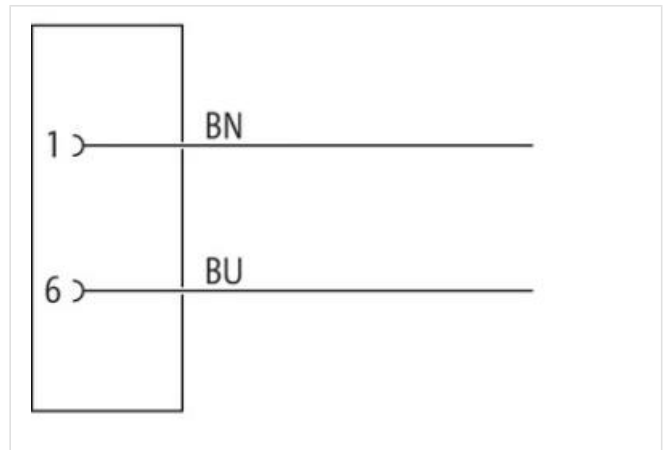
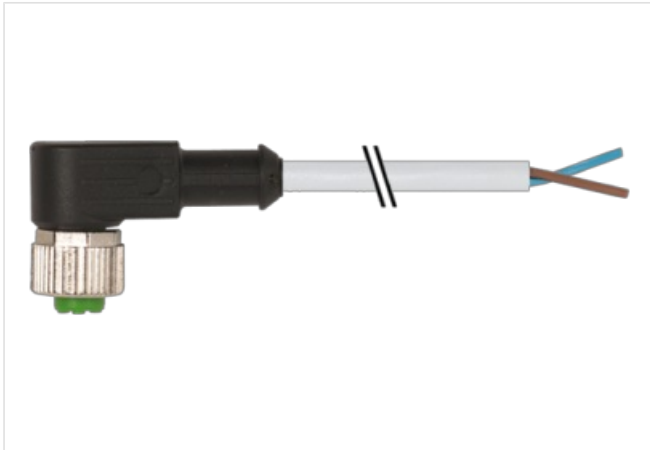
Actuator supply external

Art-No. 7005 - M12 Lite - (plastic hexagonal screw) on request

Further cable lengths on request.

Plastic housings with good resistance against chemicals and oils.

The resistance to aggressive media should be individually tested for your application. Further details on request.

[Link naar het product](#)**Afbeelding**

Product van afwijken van afbeelding



Cable length

0,3 m

Side 1	
Tightening torque	0,6 Nm
Mounting method	inserted, screwed
Coating contact	gold plated
Family construction form	M12
Thread	M12 x 1
suitable for corrugated tube (internal Ø)	10 mm
Coding	A
Material contact	Copper alloy
Material	PUR
No. of poles	2
Width across flats	SW13
Degree of protection (EN IEC 60529)	IP65, IP66K, IP67
Side 2	
Stripping length (jacket)	20 mm
Coating contact	gold plated
Family construction form	free cable end
Commerciële gegevens	
ECLASS-6.0	27279218
ECLASS-6.1	27279218
ECLASS-7.0	27279218
ECLASS-8.0	27279218
ECLASS-9.0	27060311
ECLASS-10.1	27060311
ECLASS-11.1	27060311
ECLASS-12.0	27060311
ETIM-5.0	EC001855
Douane tarief nummer	85444290
GTIN	4048879197076
Verpakkingseenheid	1
Electrical data   Supply	
Operating voltage AC max.	30 V
Operating voltage DC max.	30 V
Operating voltage AC (UL-listed)	30 V
Operating voltage DC (UL-listed)	30 V
Current operating per contact max.	4 A
Diagnostics	
Status indication LED	no
Installation   Connection	
Stripping length (jacket)	20 mm
Mounting set	M12 x 1
Device protection   Electrical	
Additional condition protection degree	inserted, screwed
Pollution Degree	3
Rated surge voltage	0,8 kV
Material group (IEC 60664-1)	I
Mechanical data   Material data	
Coating locking	Nickeled
Coating of fitting	nickel plated
Material gasket	FKM
Locking material	Zinc die-casting

Material screw connection                      Zinc die-casting

#### Mechanical data | Mounting data

Mounting method                                      inserted, screwed, Shaking protection

#### Environmental characteristics | Climatic

Operating temperature min.                      -25 °C

Operating temperature max.                      85 °C

Additional condition temperature range        depending on cable quality

#### Important installation notes

Note on strain relief                                Protect the connectors by suitable measures from mechanical loads, e.g. by the usage of cable ties.

Note on bending radius                            **Attention:** Observe the permissible bending radii when laying cables, as the IP protection class can be endangered by excessive bending forces.

#### Conformity

Product standard                                    DIN EN 61076-2-101 (M12)

#### Installation | Cable

wire arrangement                                 brown, blue

Cable identification                                414

Cable Type    3

Jacket Color                                         gray

Type of Certificate                                cURus

Amount stranding                                 1

Stranding    2 wires twisted

wire arrangement                                 brown, blue

Cable weight                                        30,8 g/m

Material jacket                                     PUR

Shore hardness jacket                            90 ± 5 Shore A

Freedom from ingredients (jacket)            lead-free, cadmium-free, CFC-free, halogen-free, silicone-free

Outer-diameter (jacket)                         4,4 mm

Tolerance outer diameter (sheath)           ± 5 %

Material wire insulation                         PP

Amount wires                                      2

Outer diameter insulation                      1,4 mm

Outer diameter tolerance core insulation    ± 5 %

Shore hardness wire insulation                70 ± 5 Shore D

Ingredient freeness wire insulation         lead-free, cadmium-free, CFC-free, halogen-free, silicone-free

Amount strands (wire)                         28

Diameter of single wires                        0,15 mm

Conductor crosssection (wire)                0,5 mm<sup>2</sup>

Material conductor wire                         Stranded copper wire, bare

Conductor type (wire)                          strand class 6

Nominal voltage AC max.                        300 V

Current load capacity (standard)            to DIN VDE 0298-4

Current load capacity min. wire                9 A

Electrical resistance line constant wire     39 Ω/km @ 20 °C

AC withstand voltage (wire - wire)         2,5 kV @ 60 s

Power frequency withstand voltage (wire - jacket)    2,5 kV @ 60 s

Min. operating temperature (static)         -40 °C

Max. operating temperature (fixed)         80 °C / 90 °C @ 10000 h Operation

Operating temperature min. (dynamic)      -25 °C

Operating temperature max. (dynamic)      80 °C / 90 °C @ 10000 h Operation

Flame resistance                                 UL 1581 § 1100 FT2 | UL 1581 § 1090 | IEC 60332-2-2

chemical resistance                              Good, application-related testing

Gasoline resistance	Good, application-related testing
Oil resistance	Good, application-related testing   DIN EN 60811-404
Bending radius (fixed)	5 x Outer diameter
Bending radius (dynamic)	10 x Outer diameter
No. of bending cycles (C-track)	10 Mio. @ 25 °C
Traversing distance (C-track)	10 m @ 25 °C   horizontal
Travel speed (C-track)	3 m/s @ 25 °C
No. of torsion cycles	2 Mio.
Torsion stress	± 180 °/m
Torsion speed	35 cycles/min