

### MSUD valve plug A-18mm with cable

PVC 4x0.75 bk 5m

MSUD

Form A (18 mm)

0...230 V AC/DC

without components

4-pole

PE at cable entry (180°)

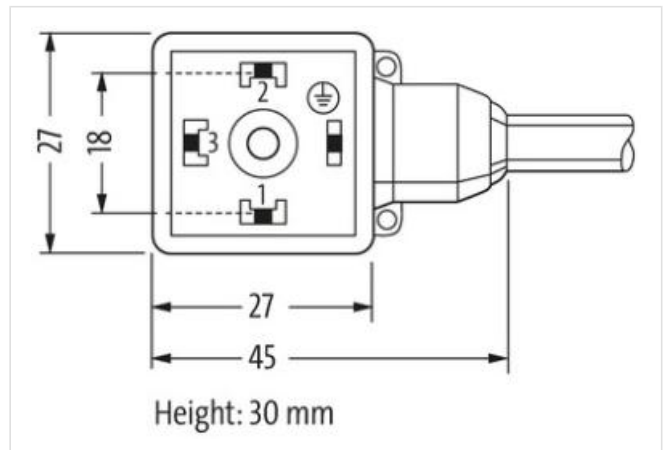
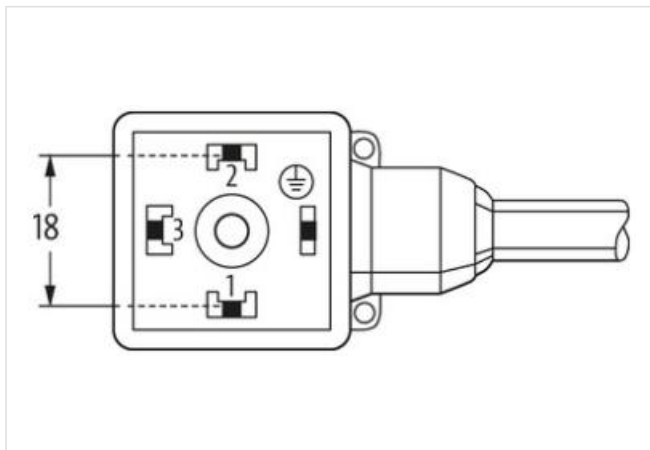
Further cable lengths on request.

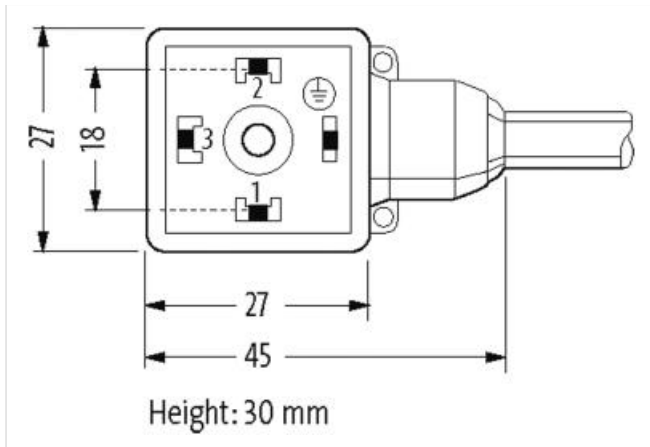
Plastic housings with good resistance against chemicals and oils.

The resistance to aggressive media should be individually tested for your application. Further details on request.

### [Link to Product](#)

#### Illustration





Product may differ from Image



Cable length 5 m

**Side 1**

|                                     |                   |
|-------------------------------------|-------------------|
| Tightening torque                   | 0,4 Nm            |
| Mounting method                     | inserted, screwed |
| Family construction form            | MSUD A            |
| Thread                              | M3                |
| Material                            | PBT               |
| Degree of protection (EN IEC 60529) | IP67              |

**Commercial data**

|                       |               |
|-----------------------|---------------|
| ECLASS-6.0            | 27279218      |
| ECLASS-6.1            | 27279218      |
| ECLASS-7.0            | 27279218      |
| ECLASS-8.0            | 27279218      |
| ECLASS-9.0            | 27060312      |
| ECLASS-10.1           | 27060312      |
| ECLASS-11.1           | 27060312      |
| ECLASS-12.0           | 27060312      |
| ETIM-5.0              | EC001855      |
| customs tariff number | 85444290      |
| GTIN                  | 4048879190855 |
| Packaging unit        | 1             |

**Electrical data | Supply**

|                                    |       |
|------------------------------------|-------|
| Operating voltage AC max.          | 230 V |
| Operating voltage DC max.          | 230 V |
| Current operating per contact max. | 10 A  |

**Installation | Connection**

|              |    |
|--------------|----|
| Mounting set | M3 |
|--------------|----|

**Device protection | Electrical**

|                              |      |
|------------------------------|------|
| Pollution Degree             | 3    |
| Rated surge voltage          | 4 kV |
| Material group (IEC 60664-1) | I    |

| Mechanical data   Material data                   |   |
|---|---|
| Coating locking                                   | verzinkt  |
| Coating of fitting                                | verzinkt  |
| Color housing                                     | black   |
| Material gasket                                   | PUR   |
| Locking material                                  | Steel   |
| Material screw connection                         | Steel   |
| Mechanical data   Mounting data                   |   |
| Mounting method                                   | inserted, screwed   |
| Environmental characteristics   Climatic          |   |
| Operating temperature min.                        | -25 °C  |
| Operating temperature max.                        | 85 °C   |
| Additional condition temperature range            | depending on cable quality  |
| Important installation notes                      |   |
| Note on strain relief                             | Protect the connectors by suitable measures from mechanical loads, e.g. by the usage of cable ties.   |
| Note on bending radius                            | <b>Attention:</b> Observe the permissible bending radii when laying cables, as the IP protection class can be endangered by excessive bending forces. |
| Installation   Cable                              |   |
| wire arrangement                                  | black 1, black 2, black 3, green-yellow   |
| Cable identification                              | 617   |
| Cable Type  | 1   |
| Printing color of wire insulation                 | white (isolation black)   |
| Jacket Color                                      | black   |
| Amount stranding                                  | 1   |
| Stranding   | 4 wires twisted   |
| wire arrangement                                  | black 1, black 2, black 3, green-yellow   |
| Cable weight                                      | 77,66 g/m   |
| Material jacket                                   | PVC   |
| Shore hardness jacket                             | 80 ± 5 Shore A  |
| Freedom from ingredients (jacket)                 | lead-free, cadmium-free, CFC-free, silicone-free  |
| Outer-diameter (jacket)                           | 6,5 mm  |
| Tolerance outer diameter (sheath)                 | ± 5 %   |
| Material wire insulation                          | PVC   |
| Amount wires                                      | 4   |
| Outer diameter insulation                         | 1,8 mm  |
| Outer diameter tolerance core insulation          | ± 5 %   |
| Shore hardness wire insulation                    | 43 ± 5 Shore D  |
| Material properties wire insulation               | good machinability  |
| Ingredient freeness wire insulation               | lead-free, cadmium-free, CFC-free, silicone-free  |
| Printing color of wire insulation                 | white (isolation black)   |
| Amount strands (wire)                             | 24  |
| Diameter of single wires                          | 0,2 mm  |
| Conductor crosssection (wire)                     | 0,75 mm <sup>2</sup>  |
| Material conductor wire                           | Stranded copper wire, bare  |
| Conductor type (wire)                             | Strand class 5  |
| Max. rated voltage (conductor - conductor)        | 500 V   |
| Max. rated voltage (conductor - ground)           | 300 V   |
| Current load capacity (standard)                  | to DIN VDE 0298-4   |
| Current load capacity min. wire                   | 9,6 A   |
| Electrical resistance line constant wire          | 26 Ω/km @ 20 °C   |
| AC withstand voltage (wire - wire)                | 3 kV @ 60 s   |
| Power frequency withstand voltage (wire - jacket) | 3 kV @ 60 s   |

|                                      |  |
|--------------------------------------|--|
| Min. operating temperature (static)  | -30 °C   |
| Max. operating temperature (fixed)   | 70 °C  |
| Operating temperature min. (dynamic) | -5 °C  |
| Operating temperature max. (dynamic) | 70 °C  |
| UV resistance                        | DIN EN ISO 4892-2 A                                  |
| Flame resistance                     | IEC 60332-2-2   UL 1581 § 1090   UL 1581 § 1100 FT2  |
| chemical resistance                  | Good, application-related testing                    |
| Gasoline resistance                  | Good, application-related testing                    |
| Oil resistance                       | DIN EN 60811-404   Good, application-related testing |
| Bending radius (fixed)               | 5 x Outer diameter                                   |
| Bending radius (dynamic)             | 10 x Outer diameter                                  |