

### SVS Eco valve plug C-8mm screw terminal

2-pol. + PE, max. 0,5mm<sup>2</sup>, 4 -6mm, LED+VDR 230V

Form C (8 mm)

230 V AC/DC ±15%

LED and VDR

metric

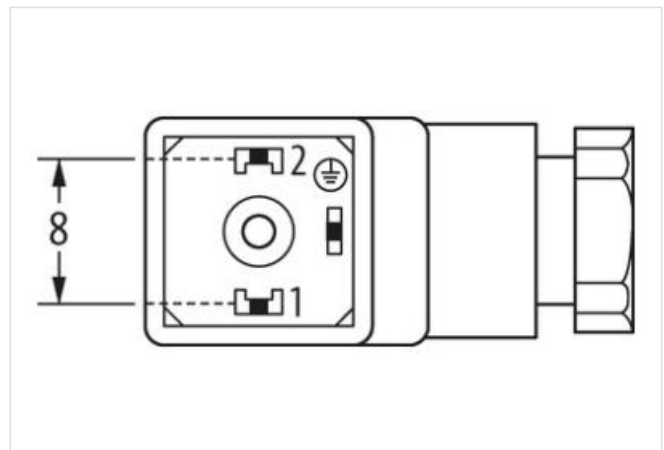
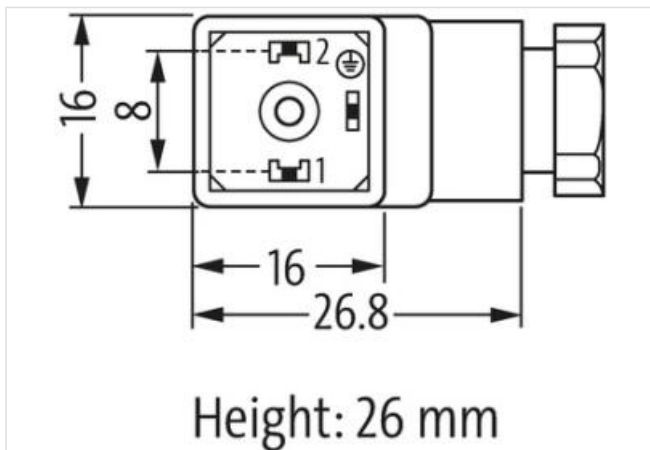
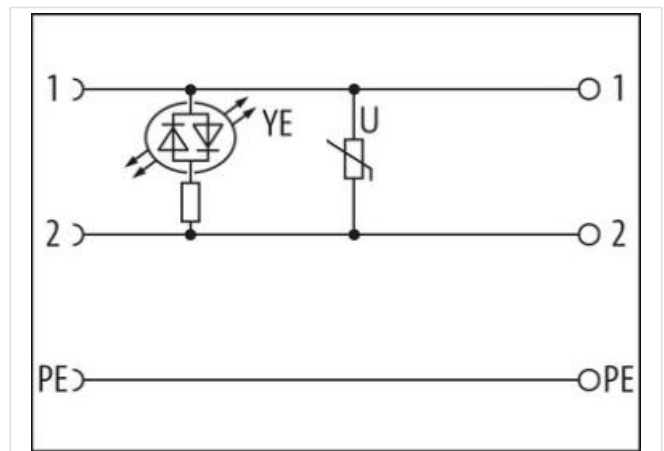
Field wireable (screw terminals)

Plastic housings with good resistance against chemicals and oils.

The resistance to aggressive media should be individually tested for your application. Further details on request.

### [Link naar het product](#)

#### Afbeelding



Product van afwijken van afbeelding



#### Side 1

Mounting method inserted, screwed

Degree of protection (EN IEC 60529) IP65

#### Commerciële gegevens

ECLASS-6.0	27279221
ECLASS-7.0	27440104
ECLASS-8.0	27440104
ECLASS-9.0	27440102
ECLASS-10.1	27440105
ECLASS-11.1	27440105
ECLASS-12.0	27440105
ETIM-5.0	EC002062
Douane tarief nummer	85366990
GTIN	4048879186988
Verpakkingseenheid	1

**Electrical data | Supply**

Operating voltage AC	230 V
Operating voltage AC min.	195,5 V
Operating voltage AC max.	264,5 V
Operating voltage DC	230 V
Operating voltage DC min.	195,5 V
Operating voltage DC max.	264,5 V
Current operating per contact max.	1,5 A

**Diagnostics**

Status indication LED	yellow
-----------------------	--------

**Installation**

Connection cross section min.	0,34 mm <sup>2</sup>
Connection cross section max.	0,5 mm <sup>2</sup>

**Installation | Connection**

Tightening torque	0,4 Nm
Tightening torque clamping screw	0,2 Nm
Mounting set	M12 x 1.5

**Installation | Pin assignment**

No. of poles	2 + PE
--------------	--------

**Device protection | Electrical**

Additional condition protection degree	inserted, screwed
Additional suppressor	Varistor

**Mechanical data | Material data**

Color housing	opaque
Material gasket	NBR
Material housing	PA

**Mechanical data | Mounting data**

fastening screw	M2.5
Clamping range min.	4 mm
Clamping range max.	6 mm

**Environmental characteristics | Climatic**

Operating temperature min.	-40 °C
Operating temperature max.	90 °C

**Important installation notes**

Note on strain relief	Protect the connectors by suitable measures from mechanical loads, e.g. by the usage of cable ties.
Note on bending radius	<b>Attention:</b> Observe the permissible bending radii when laying cables, as the IP protection class can be endangered by excessive bending forces.