

**M12 male 90° / M12 male 90° D-cod. shielded**

PUR 1x4xAWG22 shielded gn UL/CSA+drag ch. 1.5m

Product fulfills requirements according to UN/ECE R118

Ethernet CAT5

Male 90° – male 90°

M12 – M12, 4-pole

D-coded

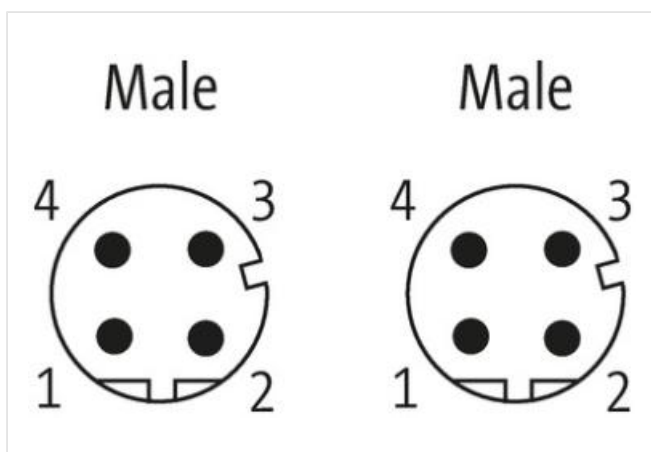
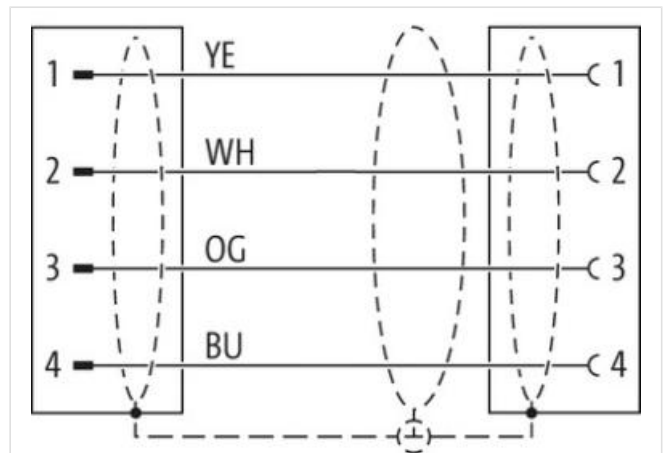
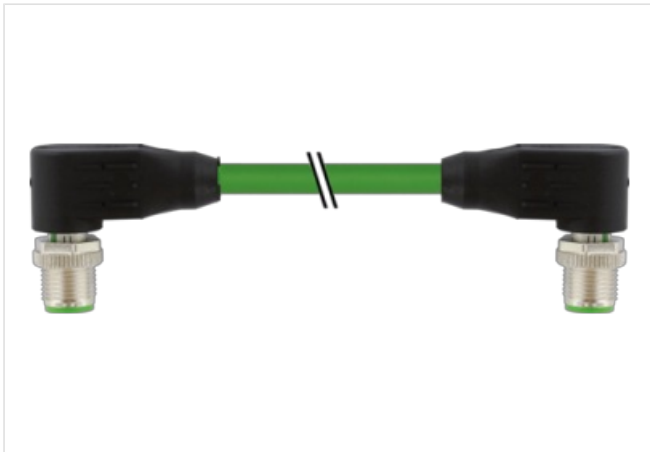
shielded

Transmission properties with channel transmission up to 100 m

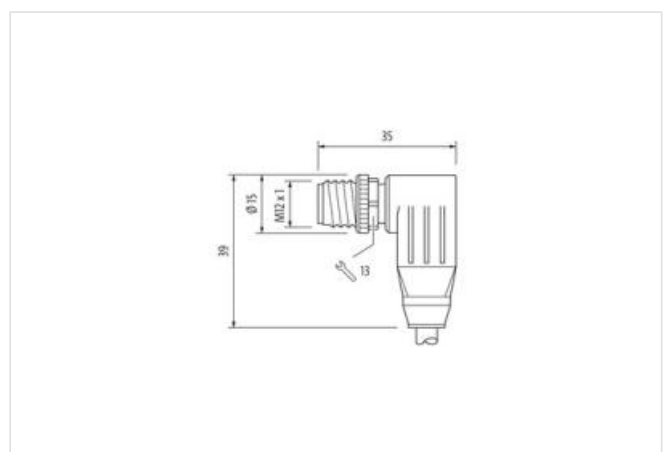
Further cable lengths on request.

Plastic housings with good resistance against chemicals and oils.

The resistance to aggressive media should be individually tested for your application. Further details on request.

[Link naar het product](#)**Afbeelding**

Product van afwijken van afbeelding





|              |       |
|--------------|-------|
| Cable length | 1,5 m |
|--------------|-------|

#### Side 1

|                          |                   |
|--------------------------|-------------------|
| Tightening torque        | 0,6 Nm            |
| Mounting method          | inserted, screwed |
| Family construction form | M12               |
| Thread                   | M12 x 1           |
| Coding                   | D                 |
| Material                 | PUR               |
| No. of poles             | 4                 |
| Width across flats       | SW13              |

#### Side 2

|                          |                   |
|--------------------------|-------------------|
| Tightening torque        | 0,6 Nm            |
| Mounting method          | inserted, screwed |
| Family construction form | M12               |
| Thread                   | M12 x 1           |
| Coding                   | D                 |
| Material                 | PUR               |
| No. of poles             | 4                 |

#### Commerciële gegevens

|                      |               |
|----------------------|---------------|
| ECLASS-6.0           | 27061801      |
| ECLASS-6.1           | 27060307      |
| ECLASS-7.0           | 27060307      |
| ECLASS-8.0           | 27060307      |
| ECLASS-9.0           | 27060307      |
| ECLASS-10.1          | 27060307      |
| ECLASS-11.1          | 27060307      |
| ECLASS-12.0          | 27060307      |
| ETIM-5.0             | EC002599      |
| Douane tarief nummer | 85444290      |
| GTIN                 | 4048879141031 |
| Verpakkingseenheid   | 1             |

#### Electrical data | Supply

|                                    |       |
|------------------------------------|-------|
| Operating voltage DC max.          | 60 V  |
| Current operating per contact max. | 1,5 A |

#### Industrial communication

|                             |  |
|-----------------------------|--|
| Transfer parameters         | CAT5, Class D (ISO/IEC 11801:2002), (EN 50173-1) |
| Data transmission rate max. | 100 MBit/s                                       |

#### Industrial communication | Ethernet functionality

|        |             |
|--------|-------------|
| duplex | Full duplex |
|--------|-------------|

#### Diagnostics

|                       |    |
|-----------------------|----|
| Status indication LED | no |
|-----------------------|----|

#### Device protection | Electrical

|  |                   |
|--|-------------------|
| Degree of protection (EN IEC 60529)    | IP65, IP67, IP66K |
| Additional condition protection degree | inserted, screwed |
| Pollution Degree                       | 3                 |
| Rated surge voltage                    | 1,5 kV            |
| Material group (IEC 60664-1)           | I                 |

#### Mechanical data

|                             |         |
|-----------------------------|---------|
| Contour for corrugated hose | without |
|-----------------------------|---------|

#### Mechanical data | Material data

|                  |                  |
|------------------|------------------|
| Coating locking  | Nickeled         |
| Locking material | Zinc die-casting |

#### Mechanical data | Mounting data

|                 |                                       |
|-----------------|---------------------------------------|
| Mounting method | inserted, screwed, Shaking protection |
|-----------------|---------------------------------------|

#### Environmental characteristics | Climatic

|  |                            |
|--|----------------------------|
| Operating temperature min.             | -25 °C                     |
| Operating temperature max.             | 85 °C                      |
| Additional condition temperature range | depending on cable quality |

#### Important installation notes

|                        |   |
|------------------------|---|
| Note on strain relief  | Protect the connectors by suitable measures from mechanical loads, e.g. by the usage of cable ties.   |
| Note on bending radius | <b>Attention:</b> Observe the permissible bending radii when laying cables, as the IP protection class can be endangered by excessive bending forces. |

#### Conformity

|                  |                          |
|------------------|--------------------------|
| Product standard | DIN EN 61076-2-101 (M12) |
|------------------|--------------------------|

#### Installation | Cable

|  |  |
|--|--|
| wire arrangement                         | white, yellow, blue, orange                                    |
| Cable identification                     | 796  |
| Jacket Color                             | green  |
| Type of Certificate                      | cURus  |
| Amount stranding                         | 1  |
| Stranding                                | 4 wires around Core filler twisted                             |
| Cable shielding (type)                   | copper braid, tinned   |
| Cable shielding (coverage)               | 85 %   |
| Banding                                  | Fleece, Foil   |
| Filler                                   | yes  |
| wire arrangement                         | white, yellow, blue, orange                                    |
| Cable weight                             | 69,3 g/m   |
| Material jacket                          | PUR  |
| Shore hardness jacket                    | 89 Shore A   |
| Freedom from ingredients (jacket)        | lead-free, cadmium-free, CFC-free, halogen-free, silicone-free |
| Outer-diameter (jacket)                  | 6,7 mm   |
| Tolerance outer diameter (sheath)        | ± 5 %  |
| Material inner jacket                    | FRNC   |
| Color (inner jacket)                     | natur  |
| Material wire insulation                 | PE   |
| Amount wires                             | 4  |
| Outer diameter insulation                | 1,4 mm   |
| Outer diameter tolerance core insulation | ± 5 %  |
| Shore hardness wire insulation           | 65 Shore D   |
| Ingredient freeness wire insulation      | lead-free, CFC-free, halogen-free                              |
| Amount strands (wire)                    | 7  |
| Diameter of single wires                 | 22 AWG   |
| Conductor crosssection (wire)            | 22 AWG   |

|   |  |
|---|--|
| Material conductor wire                           | Stranded copper wire, bare                           |
| Nominal voltage AC max.                           | 300 V  |
| Current load capacity (standard)                  | to DIN VDE 0298-4                                    |
| Current load capacity min. wire                   | 4,8 A  |
| Characteristic impedance                          | 100 $\Omega$ $\pm$ 15 % @ 100 MHz                    |
| Electrical resistance line constant wire          | 55 $\Omega$ /km @ 20 °C                              |
| AC withstand voltage (wire - wire)                | 2 kV @ 60 s  |
| Electrical capacity line constant (wire - wire)   | 50000 pF/km  |
| Power frequency withstand voltage (wire - jacket) | 2 kV @ 60 s  |
| AC withstand voltage (wire - shield)              | 2 kV @ 60 s  |
| Isolation resistance                              | 5000 M $\Omega$ $\times$ km                          |
| Min. operating temperature (static)               | -40 °C   |
| Max. operating temperature (fixed)                | 80 °C  |
| Operating temperature min. (dynamic)              | -30 °C   |
| Operating temperature max. (dynamic)              | 70 °C  |
| Flame resistance                                  | IEC 60332-2-2   UL 1581 § 1090   UL 1581 § 1100 FT2  |
| chemical resistance                               | Good, application-related testing                    |
| Gasoline resistance                               | Good, application-related testing                    |
| Oil resistance                                    | DIN EN 60811-404   Good, application-related testing |
| Bending radius (fixed)                            | 5 x Outer diameter                                   |
| Bending radius (dynamic)                          | 12 x Outer diameter                                  |
| No. of bending cycles (C-track)                   | 3 Mio. @ 25 °C                                       |
| Traversing distance (C-track)                     | 5 m @ 25 °C  |
| Travel speed (C-track)                            | 3,3 m/s @ 25 °C                                      |
| No. of torsion cycles                             | 1 Mio. 25 °C   |
| Torsion stress                                    | $\pm$ 180 °/m  |