

**M8 male 0° / M8 female 0° A-cod.**

PUR 4x0.25 ye UL/CSA 0.3m

**⚠ NOTICE ⚠****PRODUCT IS DISCONTINUED. PLEASE HAVE A LOOK AT THE ALTERNATIVE PRODUCTS.**

Male straight – female straight

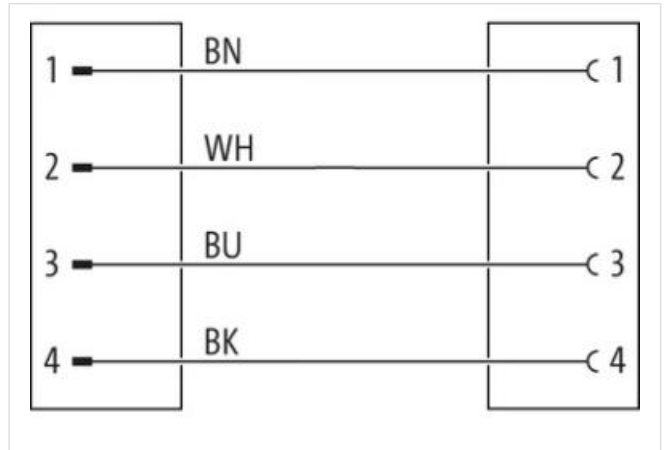
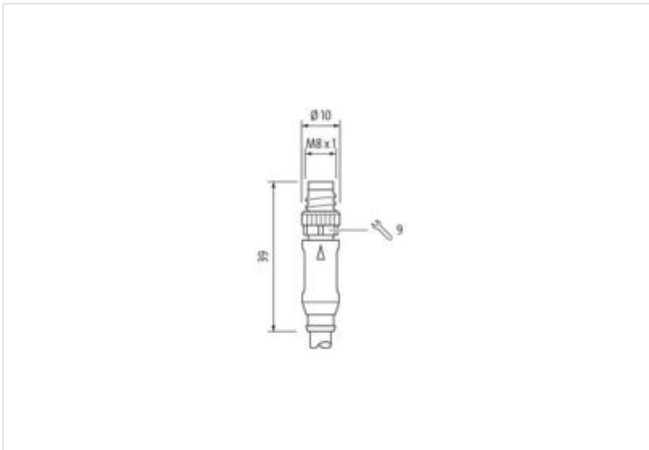
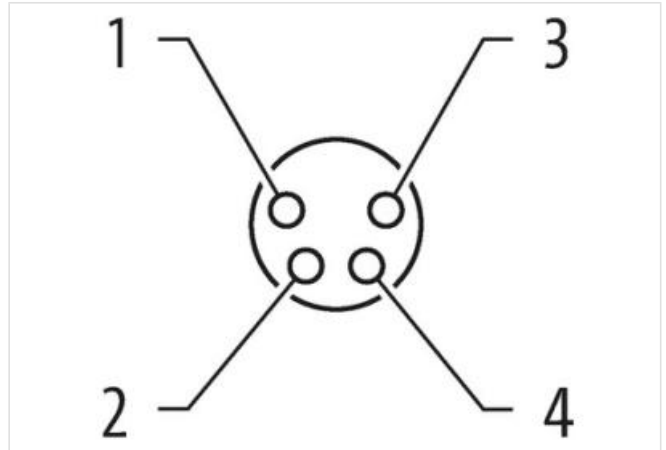
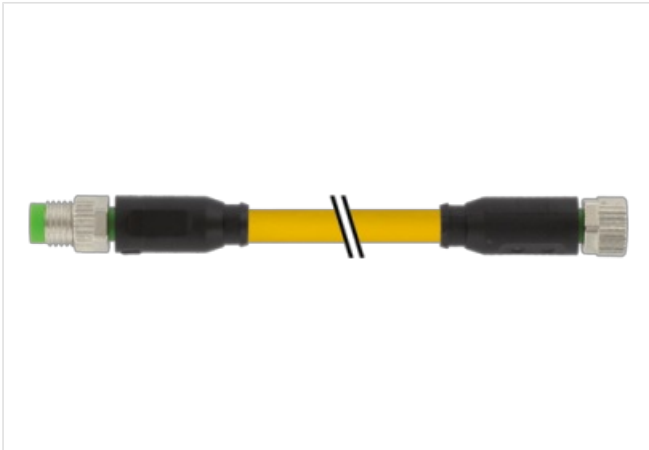
M8 – M8, 4-pole

Art-No. 7005 - M8 Lite - (plastic hexagonal screw) on request

Plastic housings with good resistance against chemicals and oils.

The resistance to aggressive media should be individually tested for your application. Further details on request.

Further cable lengths on request.

[Link naar het product](#)**Afbeelding**



Product van afwijken van afbeelding



Cable length 0,3 m

**Side 1**

|   |                   |
|---|-------------------|
| Tightening torque                         | 0,4 Nm            |
| Mounting method                           | inserted, screwed |
| Coating contact                           | gold plated       |
| Family construction form                  | M8                |
| Thread                                    | M8 x 1            |
| suitable for corrugated tube (internal Ø) | 6,5 mm            |
| Material contact                          | Copper alloy      |
| No. of poles                              | 4                 |
| Width across flats                        | SW9               |

**Side 2**

|                          |                   |
|--------------------------|-------------------|
| Tightening torque        | 0,4 Nm            |
| Mounting method          | inserted, screwed |
| Coating contact          | gold plated       |
| Family construction form | M8                |
| Thread                   | M8 x 1            |
| Material contact         | Copper alloy      |
| No. of poles             | 4                 |

**Commerciële gegevens**

|                      |               |
|----------------------|---------------|
| ECLASS-6.0           | 27279218      |
| ECLASS-6.1           | 27279218      |
| ECLASS-7.0           | 27279218      |
| ECLASS-8.0           | 27279218      |
| ECLASS-9.0           | 27060311      |
| ECLASS-10.1          | 27060311      |
| ECLASS-11.1          | 27060311      |
| ECLASS-12.0          | 27060311      |
| ETIM-5.0             | EC001855      |
| Douane tarief nummer | 85444290      |
| GTIN                 | 4048879130561 |
| Verpakkingseenheid   | 1             |

**Electrical data | Supply**

De informatie in dit datablad is met de grootst mogelijke zorg samengesteld.  
Aansprakelijkheid beperkt tot grove nalatigheid voor de juistheid, volledigheid en actualiteit. Status: 2024-06-22

|   |  |
|---|--|
| Operating voltage AC max.                       | 50 V   |
| Operating voltage DC max.                       | 60 V   |
| Operating voltage AC (UL-listed)                | 30 V   |
| Operating voltage DC (UL-listed)                | 30 V   |
| Current operating per contact max.              | 4 A  |
| <b>Diagnostics</b>                              |  |
| Status indication LED                           | no   |
| <b>Device protection   Electrical</b>           |  |
| Degree of protection (EN IEC 60529)             | IP65, IP67, IP68, IP66K                          |
| Additional condition protection degree          | inserted, screwed                                |
| Pollution Degree                                | 3  |
| Rated surge voltage                             | 1,5 kV   |
| Material group (IEC 60664-1)                    | I  |
| <b>Mechanical data   Material data</b>          |  |
| Coating locking                                 | Nickeled   |
| Material gasket                                 | FKM  |
| Material housing                                | PUR  |
| Locking material                                | Zinc die-casting                                 |
| <b>Mechanical data   Mounting data</b>          |  |
| Mounting method                                 | inserted, screwed, Shaking protection            |
| <b>Environmental characteristics   Climatic</b> |  |
| Operating temperature min.                      | -25 °C   |
| Operating temperature max.                      | 85 °C  |
| Additional condition temperature range          | depending on cable quality                       |
| <b>Conformity</b>                               |  |
| Product standard                                | DIN EN 61076-2-114 (M8)                          |
| <b>Installation   Cable</b>                     |  |
| Cable identification                            | 011  |
| Cable Type                                      | 1  |
| Jacket Color                                    | yellow   |
| Type of Certificate                             | cURus  |
| Amount stranding                                | 1  |
| Stranding                                       | 4 wires twisted                                  |
| wire arrangement                                | brown, black, blue, white                        |
| Cable weight                                    | 34,76 g/m  |
| Material jacket                                 | PVC  |
| Shore hardness jacket                           | 85 ± 5 Shore A                                   |
| Freedom from ingredients (jacket)               | lead-free, cadmium-free, CFC-free, silicone-free |
| Outer-diameter (jacket)                         | 4,8 mm   |
| Tolerance outer diameter (sheath)               | ± 5 %  |
| Material wire insulation                        | PVC  |
| Amount wires                                    | 4  |
| Outer diameter insulation                       | 1,25 mm  |
| Outer diameter tolerance core insulation        | ± 5 %  |
| Shore hardness wire insulation                  | 45 ± 5 Shore D                                   |
| Material properties wire insulation             | good machinability                               |
| Ingredient freeness wire insulation             | lead-free, cadmium-free, CFC-free, silicone-free |
| Amount strands (wire)                           | 14   |
| Diameter of single wires                        | 0,15 mm  |
| Conductor crosssection (wire)                   | 0,25 mm <sup>2</sup>                             |
| Material conductor wire                         | Stranded copper wire, bare                       |

|   |  |
|---|--|
| Conductor type (wire)                             | Strand class 5                                       |
| Nominal voltage AC max.                           | 300 V  |
| Current load capacity (standard)                  | to DIN VDE 0298-4                                    |
| Current load capacity min. wire                   | 3,6 A  |
| Electrical resistance line constant wire          | 79 $\Omega$ /km @ 20 °C                              |
| AC withstand voltage (wire - wire)                | 2 kV @ 60 s  |
| Power frequency withstand voltage (wire - jacket) | 2 kV @ 60 s  |
| Min. operating temperature (static)               | -30 °C   |
| Max. operating temperature (fixed)                | 80 °C  |
| Operating temperature min. (dynamic)              | -5 °C  |
| Operating temperature max. (dynamic)              | 80 °C  |
| Flame resistance                                  | UL 1581 § 1100 FT2   IEC 60332-2-2   UL 1581 § 1090  |
| chemical resistance                               | Good, application-related testing                    |
| Gasoline resistance                               | Good, application-related testing                    |
| Oil resistance                                    | Good, application-related testing   DIN EN 60811-404 |
| Bending radius (fixed)                            | 5 x Outer diameter                                   |
| Bending radius (dynamic)                          | 10 x Outer diameter                                  |