

MQ15 male 0°/MQ15 fem. 0° shielded 600V AC type 3

PUR 4x1.5 or UL/CSA+drag ch. 25m

Male straight – female straight

MQ15, 4-pole

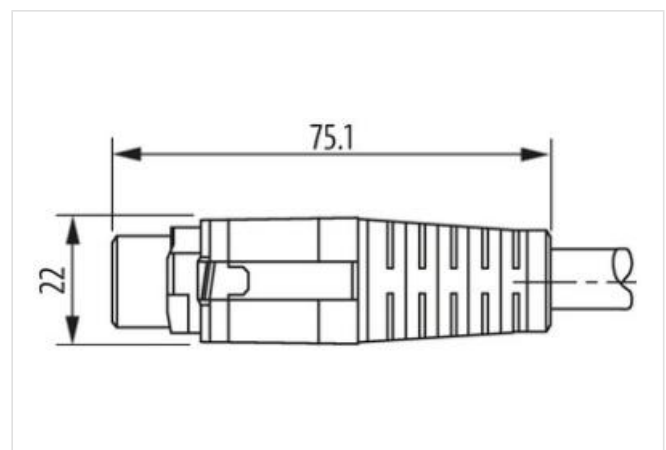
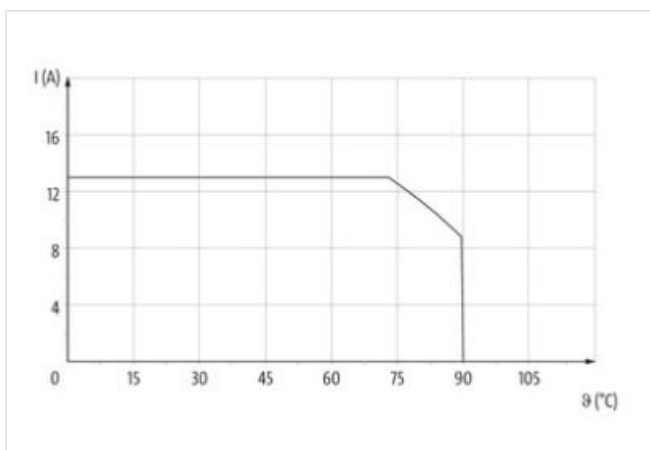
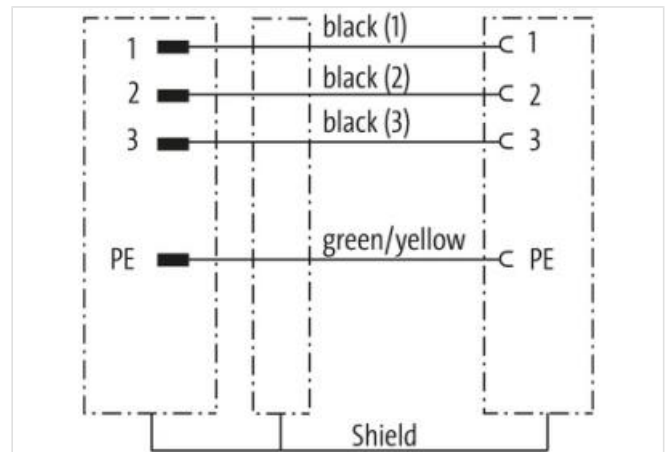
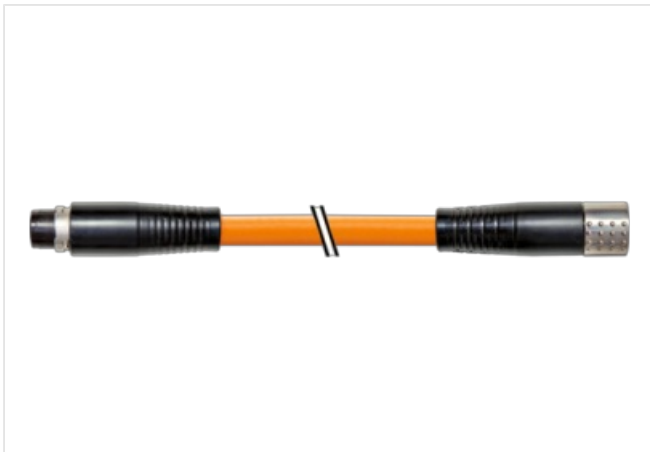
shielded

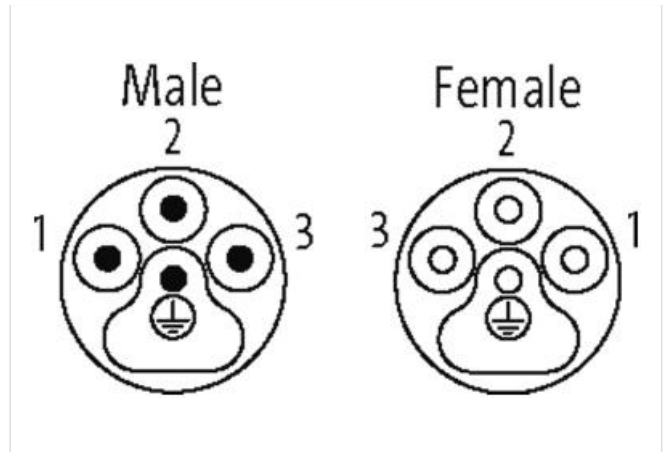
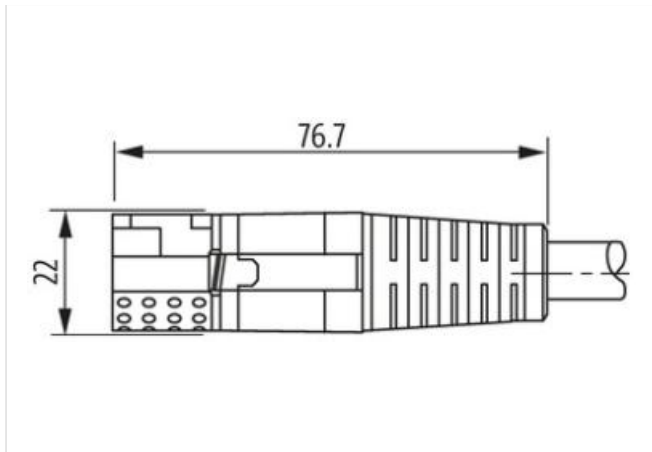
without cable sleeves

Plastic housings with good resistance against chemicals and oils.

The resistance to aggressive media should be individually tested for your application. Further details on request.

Further cable lengths on request.

[Link to Product](#)**Illustration**



Product may differ from Image



Cable length	25 m
Side 1	
Mounting method	inserted, screwed
Coating contact	silver-plated
Family construction form	MQ15
Cable outlet	straight
Material contact	Copper alloy
No. of poles	4
Degree of protection (EN IEC 60529)	IP67
Side 2	
Mounting method	inserted, screwed
Coating contact	silver-plated
Family construction form	MQ15
Cable outlet	straight
Material contact	Copper alloy
No. of poles	4
Degree of protection (EN IEC 60529)	IP67
Commercial data	
ECLASS-6.0	27279221
ECLASS-6.1	27279218
ECLASS-7.0	27279218
ECLASS-8.0	27279218
ECLASS-9.0	27060327
ECLASS-10.1	27060311
ECLASS-11.1	27060311
ECLASS-12.0	27060327
ETIM-5.0	EC001576
customs tariff number	85444290
GTIN	4048879710008
Packaging unit	1
Electrical data Supply	
Operating voltage AC max.	600 V

Current operating per contact max. 13 A

Diagnostics

Status indication LED no

Installation | Connection

Mating cycles min. 500

Installation | Pin assignment

Configuration fully used

Device protection | Electrical

Degree of protection (EN IEC 60529) IP67

Additional condition protection degree inserted, screwed

Pollution Degree 3

Rated surge voltage 4 kV

Material group (IEC 60664-1) I

Mechanical data | Material data

Combustibility class housing (UL94) HB

Material housing Plastic

Material contact carrier PA

Mechanical data | Mounting data

Looking techniques bayonet-locking

Environmental characteristics | Climatic

Operating temperature min. -25 °C

Operating temperature max. 80 °C

Additional condition temperature range depending on cable quality

Important installation notes

Note on strain relief Protect the connectors by suitable measures from mechanical loads, e.g. by the usage of cable ties.

Note on bending radius **Attention:** Observe the permissible bending radii when laying cables, as the IP protection class can be endangered by excessive bending forces.

Installation | Cable

wire arrangement black 1, black 2, black 3, green-yellow

Cable identification P12

Jacket Color orange

Cable shielding (type) copper braiding, bare

Cable shielding (coverage) 80 %

wire arrangement black 1, black 2, black 3, green-yellow

Cable weight 128,7 g/m

Outer-diameter (jacket) 8 mm

Tolerance outer diameter (sheath) ± 5 %

Material wire insulation TPE

Amount wires 4

Conductor crosssection (wire) 1,5 mm²

Material conductor wire Stranded copper wire, bare

Nominal voltage AC max. 1000 V

AC withstand voltage (wire - wire) 4 kV

Power frequency withstand voltage (wire - jacket) 4 kV

Min. operating temperature (static) -40 °C

Max. operating temperature (fixed) 80 °C

Operating temperature min. (dynamic) -20 °C

Operating temperature max. (dynamic) 60 °C

Flame resistance UL 1581 § 1100 FT2 | UL 1581 § 1090 | IEC 60332-2-2

chemical resistance Good, application-related testing

Gasoline resistance	Good, application-related testing
Oil resistance	Good, application-related testing DIN EN 60811-404
Bending radius (fixed)	10 x Outer diameter
Bending radius (dynamic)	10 x Outer diameter
No. of bending cycles (C-track)	5 Mio.
Travel speed (C-track)	3,3 m/s
Torsion stress	± 15 °/m