

**Ventilst. MDC06-2s kurz LED freies Ltg-ende**

PUR 2x0.75 sw UL/CSA+schleppk. 10,5m

Xtreme - Outdoor

Male straight

Further cable lengths on request.

12...24 V DC

2-pole

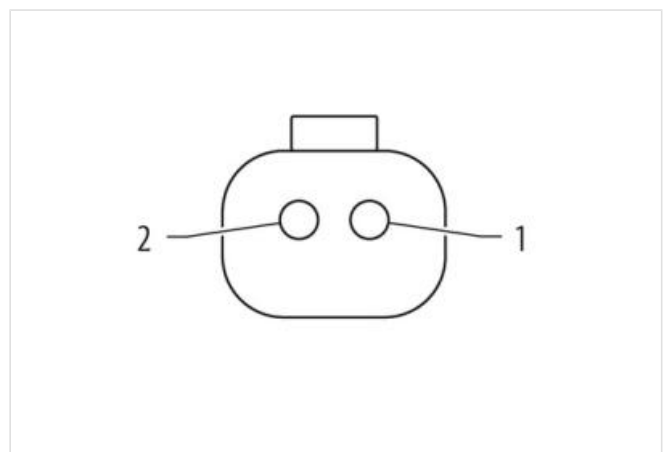
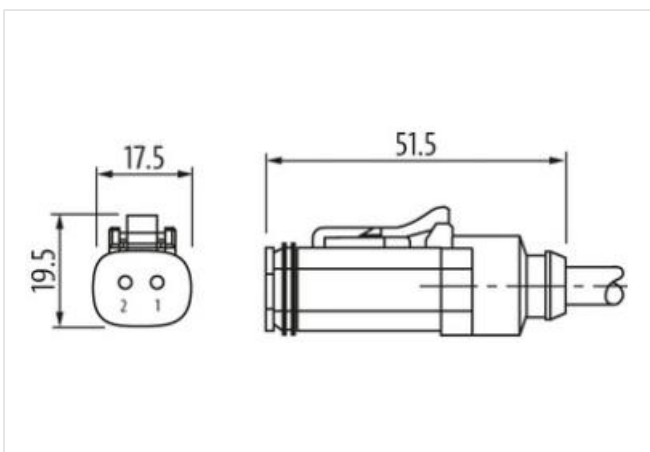
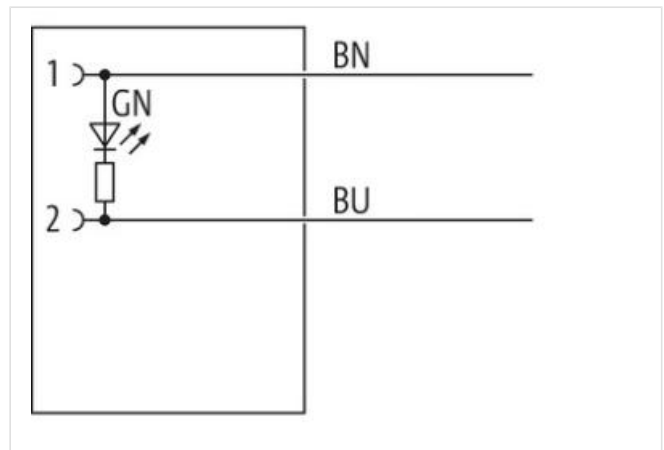
LED

Compatible with:

Deutsch DT06-2S

Plastic housings with good resistance against chemicals and oils.

The resistance to aggressive media should be individually tested for your application. Further details on request.

**[Link naar het product](#)****Afbeelding**

Product van afwijken van afbeelding



|              |        |
|--------------|--------|
| Cable length | 10,5 m |
|--------------|--------|

**Side 1**

|                                           |               |
|-------------------------------------------|---------------|
| Mounting method                           | inserted      |
| Coating contact                           | nickel plated |
| Family construction form                  | MDC           |
| suitable for corrugated tube (internal Ø) | 10 mm         |
| Material contact                          | Copper alloy  |
| No. of poles                              | 2             |

**Side 2**

|                           |       |
|---------------------------|-------|
| Stripping length (jacket) | 20 mm |
|---------------------------|-------|

**Commerciële gegevens**

|                      |               |
|----------------------|---------------|
| ECLASS-6.0           | 27279218      |
| ECLASS-6.1           | 27279218      |
| ECLASS-7.0           | 27279218      |
| ECLASS-8.0           | 27279218      |
| ECLASS-9.0           | 27060312      |
| ECLASS-10.1          | 27060312      |
| ECLASS-11.1          | 27060312      |
| ECLASS-12.0          | 27060312      |
| ETIM-5.0             | EC001855      |
| Douane tarief nummer | 85444290      |
| GTIN                 | 4065909095911 |
| Verpakkingseenheid   | 1             |

**Electrical data | Supply**

|                                    |      |
|------------------------------------|------|
| Operating voltage DC min.          | 12 V |
| Operating voltage DC max.          | 24 V |
| Current operating per contact max. | 8 A  |

**Diagnostics**

|                       |       |
|-----------------------|-------|
| Status indication LED | green |
|-----------------------|-------|

**Installation | Connection**

|                           |                  |
|---------------------------|------------------|
| Stripping length (jacket) | 20 mm            |
| Family construction form  | Amphenol AT06-2S |

**Device protection | Electrical**

|                                       |                    |
|---------------------------------------|--------------------|
| Degree of protection (ISO 20653:2013) | IP66K, IP68, IP69K |
| Pollution Degree                      | 2                  |
| Rated surge voltage                   | 0,8 kV             |
| Material group (IEC 60664-1)          | III                |
| Additional suppressor                 | without components |

**Mechanical data | Material data**

|                  |         |
|------------------|---------|
| Material gasket  | Silicon |
| Material housing | PA      |

**Mechanical data | Mounting data**

|                    |                   |
|--------------------|-------------------|
| Looking techniques | Snap-in connector |
|--------------------|-------------------|

**Environmental characteristics | Climatic**

|                                        |                            |
|----------------------------------------|----------------------------|
| Operating temperature min.             | -25 °C                     |
| Operating temperature max.             | 85 °C                      |
| Additional condition temperature range | depending on cable quality |

**Important installation notes**

|                       |                                                                                                     |
|-----------------------|-----------------------------------------------------------------------------------------------------|
| Note on strain relief | Protect the connectors by suitable measures from mechanical loads, e.g. by the usage of cable ties. |
|-----------------------|-----------------------------------------------------------------------------------------------------|

Note on bending radius

**Attention:** Observe the permissible bending radii when laying cables, as the IP protection class can be endangered by excessive bending forces.

| Installation   Cable                              |                                                                |
|---------------------------------------------------|----------------------------------------------------------------|
| wire arrangement                                  | brown, blue                                                    |
| Cable identification                              | 754                                                            |
| Cable Type                                        | 3                                                              |
| Jacket Color                                      | black                                                          |
| Type of Certificate                               | cURus                                                          |
| Amount stranding                                  | 1                                                              |
| Stranding                                         | 2 wires twisted                                                |
| wire arrangement                                  | brown, blue                                                    |
| Cable weight                                      | 40,7 g/m                                                       |
| Material jacket                                   | PUR                                                            |
| Shore hardness jacket                             | 90 ± 5 Shore A                                                 |
| Freedom from ingredients (jacket)                 | lead-free, cadmium-free, CFC-free, halogen-free, silicone-free |
| Outer-diameter (jacket)                           | 5 mm                                                           |
| Tolerance outer diameter (sheath)                 | ± 5 %                                                          |
| Material wire insulation                          | PP                                                             |
| Amount wires                                      | 2                                                              |
| Outer diameter insulation                         | 1,7 mm                                                         |
| Outer diameter tolerance core insulation          | ± 5 %                                                          |
| Shore hardness wire insulation                    | 70 ± 5 Shore D                                                 |
| Ingredient freeness wire insulation               | lead-free, cadmium-free, CFC-free, halogen-free, silicone-free |
| Amount strands (wire)                             | 42                                                             |
| Diameter of single wires                          | 0,15 mm                                                        |
| Conductor crosssection (wire)                     | 0,75 mm <sup>2</sup>                                           |
| Material conductor wire                           | Stranded copper wire, bare                                     |
| Conductor type (wire)                             | strand class 6                                                 |
| Nominal voltage AC max.                           | 300 V                                                          |
| Current load capacity (standard)                  | to DIN VDE 0298-4                                              |
| Current load capacity min. wire                   | 12 A                                                           |
| Electrical resistance line constant wire          | 26 Ω/km @ 20 °C                                                |
| AC withstand voltage (wire - wire)                | 2,5 kV @ 60 s                                                  |
| Power frequency withstand voltage (wire - jacket) | 2,5 kV @ 60 s                                                  |
| Min. operating temperature (static)               | -40 °C                                                         |
| Max. operating temperature (fixed)                | 80 °C / 90 °C @ 10000 h Operation                              |
| Operating temperature min. (dynamic)              | -25 °C                                                         |
| Operating temperature max. (dynamic)              | 80 °C / 90 °C @ 10000 h Operation                              |
| UV resistance                                     | DIN EN ISO 4892-2 A                                            |
| Flame resistance                                  | UL 1581 § 1090   UL 1581 § 1100 FT2   IEC 60332-2-2            |
| chemical resistance                               | Good, application-related testing                              |
| Gasoline resistance                               | Good, application-related testing                              |
| Oil resistance                                    | DIN EN 60811-404   Good, application-related testing           |
| Bending radius (fixed)                            | 5 x Outer diameter                                             |
| Bending radius (dynamic)                          | 10 x Outer diameter                                            |
| No. of bending cycles (C-track)                   | 10 Mio. @ 25 °C                                                |
| Traversing distance (C-track)                     | 10 m @ 25 °C   horizontal                                      |
| Travel speed (C-track)                            | 3 m/s @ 25 °C                                                  |
| No. of torsion cycles                             | 2 Mio.                                                         |
| Torsion stress                                    | ± 180 °/m                                                      |
| Torsion speed                                     | 35 cycles/min                                                  |