

Valve plug MDC06-2s short LED+Diode with cable

PUR 2x1.5 bk ADR 5m

Xtreme - Outdoor

Male straight

Further cable lengths on request.

12...24 V DC

2-pole

Flyback diode + LED

Compatible with:

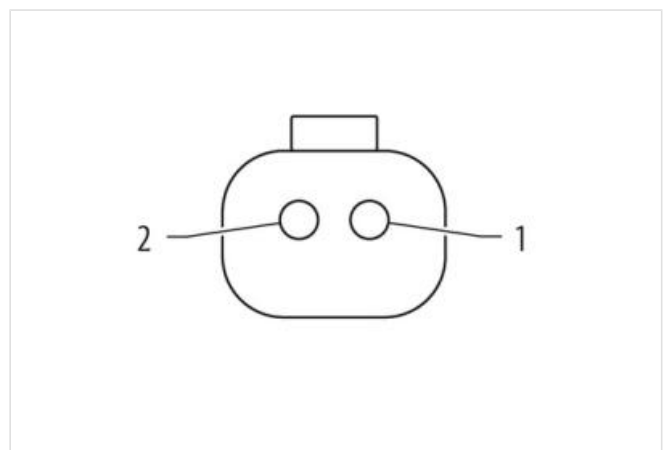
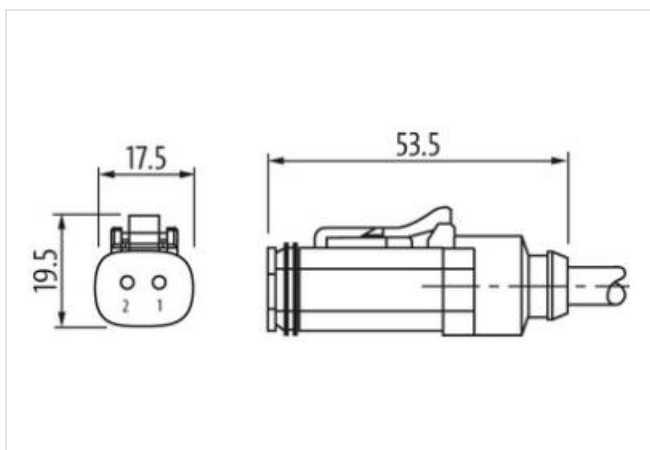
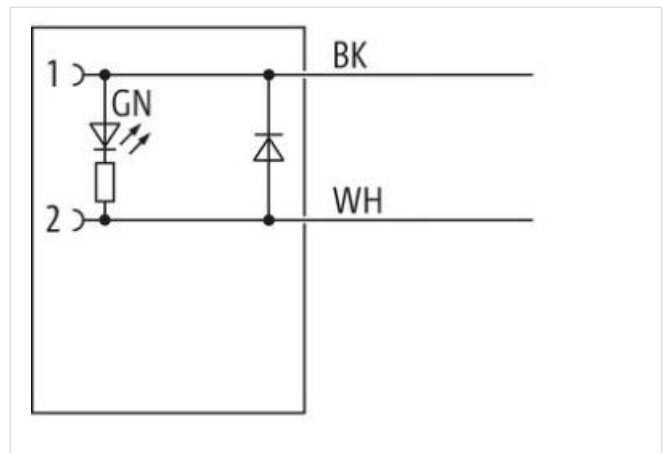
Deutsch DT06-2S

Plastic housings with good resistance against chemicals and oils.

The resistance to aggressive media should be individually tested for your application. Further details on request.

Link to Product

Illustration



Product may differ from Image



| | |
|--------------|-----|
| Cable length | 5 m |
|--------------|-----|

Side 1

| | |
|---|---------------|
| Mounting method | inserted |
| Coating contact | nickel plated |
| Family construction form | MDC |
| suitable for corrugated tube (internal Ø) | 10 mm |
| Material contact | Copper alloy |
| No. of poles | 2 |

Side 2

| | |
|---------------------------|-------|
| Stripping length (jacket) | 20 mm |
|---------------------------|-------|

Commercial data

| | |
|-----------------------|---------------|
| ECLASS-6.0 | 27279218 |
| ECLASS-7.0 | 27279218 |
| ECLASS-8.0 | 27279218 |
| ECLASS-9.0 | 27060311 |
| ECLASS-10.1 | 27060312 |
| ECLASS-11.1 | 27060312 |
| ECLASS-12.0 | 27060312 |
| ETIM-5.0 | EC001855 |
| customs tariff number | 85444290 |
| GTIN | 4048879845687 |
| Packaging unit | 1 |

Electrical data | Supply

| | |
|------------------------------------|------|
| Operating voltage DC min. | 12 V |
| Operating voltage DC max. | 24 V |
| Current operating per contact max. | 8 A |

Diagnostics

| | |
|-----------------------|-------|
| Status indication LED | green |
|-----------------------|-------|

Installation | Connection

| | |
|---------------------------|------------------|
| Stripping length (jacket) | 20 mm |
| Family construction form | Amphenol AT06-2S |

Device protection | Electrical

| | |
|---------------------------------------|---------------------|
| Degree of protection (ISO 20653:2013) | IP66K, IP68, IP69K |
| Pollution Degree | 2 |
| Rated surge voltage | 0,8 kV |
| Material group (IEC 60664-1) | III |
| Additional suppressor | free-wheeling diode |

Mechanical data | Material data

| | |
|------------------|---------|
| Material gasket | Silicon |
| Material housing | PA |

Mechanical data | Mounting data

| | |
|--------------------|-------------------|
| Looking techniques | Snap-in connector |
|--------------------|-------------------|

Environmental characteristics | Climatic

| | |
|--|----------------------------|
| Operating temperature min. | -25 °C |
| Operating temperature max. | 85 °C |
| Additional condition temperature range | depending on cable quality |

Important installation notes

| | |
|------------------------|---|
| Note on strain relief | Protect the connectors by suitable measures from mechanical loads, e.g. by the usage of cable ties. |
| Note on bending radius | Attention: Observe the permissible bending radii when laying cables, as the IP protection class can be endangered by excessive bending forces. |

| Installation Cable | |
|---|--|
| wire arrangement | black, white |
| Cable identification | 484 |
| Jacket Color | black |
| Type of Certificate | cURus |
| Amount stranding | 1 |
| Stranding | 2 wires twisted |
| wire arrangement | black, white |
| Cable weighth | 73,7 g/m |
| Material jacket | PUR |
| Shore hardness jacket | 85 Shore A |
| Freedom from ingredients (jacket) | lead-free, cadmium-free, CFC-free |
| Outer-diameter (jacket) | 6,6 mm |
| Tolerance outer diameter (sheath) | ± 5 % |
| Material inner jacket | PVC |
| Color (inner jacket) | gray |
| Material wire insulation | PVC |
| Amount wires | 2 |
| Outer diameter insulation | 2,25 mm |
| Outer diameter tolerance core insulation | ± 5 % |
| Shore hardness wire insulation | 41 Shore D |
| Material properties wire insulation | good machinability |
| Ingredient freeness wire insulation | lead-free, cadmium-free, CFC-free, silicone-free |
| Resistances wire insulation | hydrolysis-resistant, microbe-resistant |
| Amount strands (wire) | 30 |
| Diameter of single wires | 0,25 mm |
| Conductor crossection (wire) | 1,5 mm ² |
| Material conductor wire | Stranded copper wire, bare |
| Conductor type (wire) | Strand class 5 |
| Nominal voltage AC max. | 60 V |
| Current load capacity (standard) | to DIN VDE 0298-4 |
| Current load capacity min. wire | 18 A |
| Electrical resistance line constant wire | 13,7 Ω/km @ 20 °C |
| AC withstand voltage (wire - wire) | 2 kV @ 300 s |
| Electric capacitance | 50000 pF/km |
| Power frequency withstand voltage (wire - jacket) | 2 kV @ 300 s |
| Min. operating temperature (static) | -40 °C |
| Max. operating temperature (fixed) | 85 °C |
| UV resistance | DIN EN ISO 4892-2 A |
| Flame resistance | IEC 60332-2-2 UL 1581 § 1100 FT2 UL 1581 § 1090 |
| chemical resistance | Good, application-related testing |
| Gasoline resistance | Good, application-related testing |
| Oil resistance | DIN EN 60811-404 Good, application-related testing |
| Bending radius (fixed) | 12 x Outer diameter |