

Ventilst. MDC06-4s / M12 St. 0° Xtreme

PUR 1x4x0.5 geschirmt vt UL/CSA+schleppk. 5m

Xtreme - Outdoor

Male straight – male straight

6 ... 32 V AC/DC

Stainless steel 1.4305 (V2A)

without components

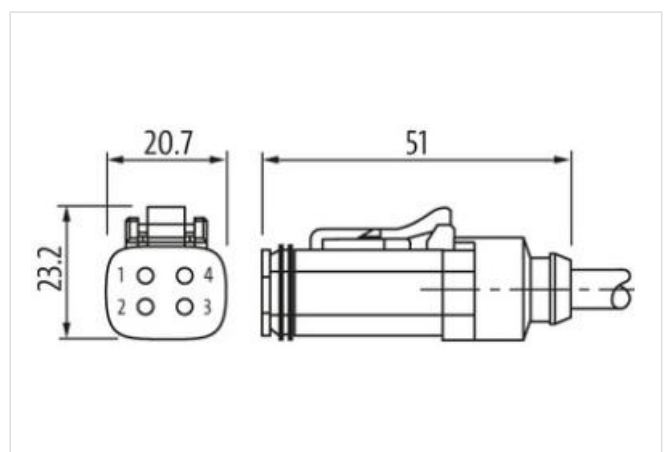
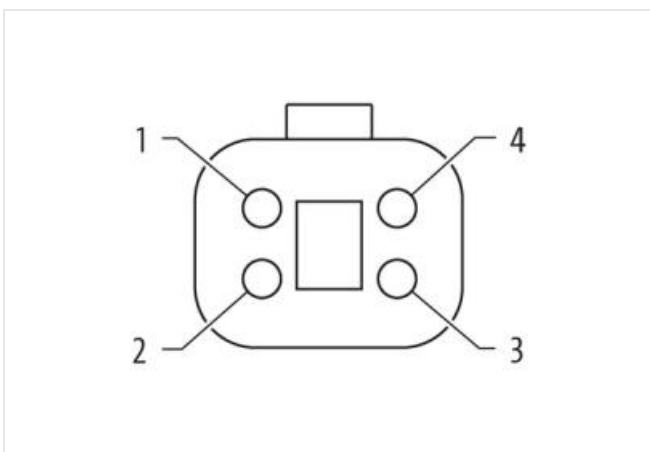
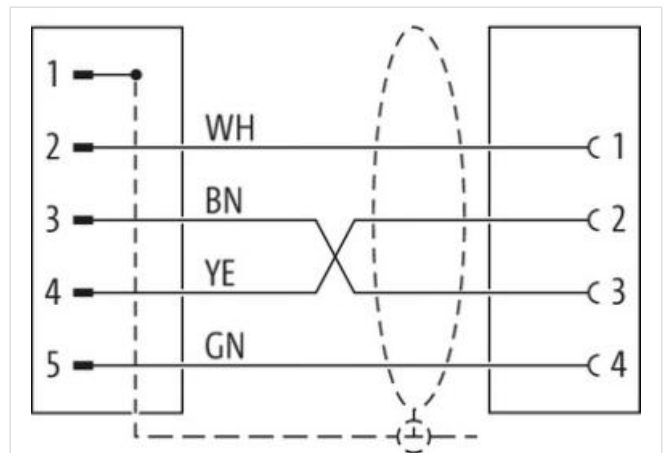
without cable sleeves

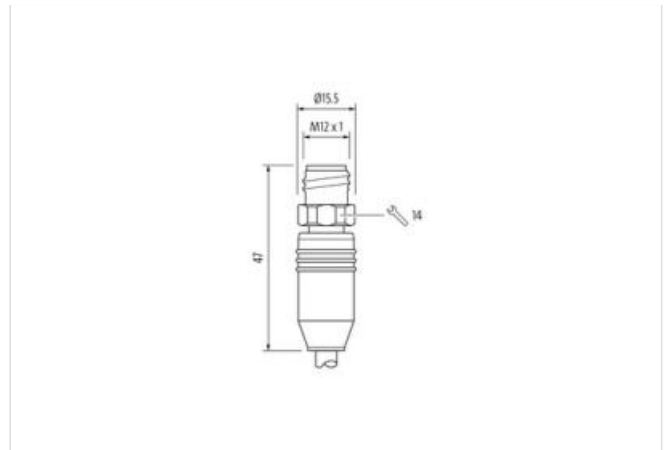
compatibel to Deutsch DT06-4S

Plastic housings with good resistance against chemicals and oils.

The resistance to aggressive media should be individually tested for your application. Further details on request.

Further cable lengths on request.

[Link naar het product](#)**Afbeelding**



Product van afwijken van afbeelding



Cable length 5 m

Side 1

Tightening torque	0,6 Nm
Mounting method	inserted, screwed
Coating contact	gold plated
Family construction form	M12
Thread	M12 x 1
Coding	A
Material contact	Copper alloy
Material	PUR
No. of poles	5
Width across flats	SW14
Degree of protection (EN IEC 60529)	IP65, IP66K, IP68

Side 2

Mounting method	Snap-in connector
Coating contact	nickel plated
Family construction form	Amphenol AT06-4S
suitable for corrugated tube (internal Ø)	13 mm
Material	PA
No. of poles	4
Degree of protection (EN IEC 60529)	IP66K, IP68, IP69K

Commerciële gegevens

ECLASS-6.0	27279218
ECLASS-6.1	27060307
ECLASS-7.0	27060307
ECLASS-8.0	27060307
ECLASS-9.0	27060312
ECLASS-10.1	27060312
ECLASS-11.1	27060312
ECLASS-12.0	27060312
ETIM-5.0	EC001855
Douane tarief nummer	85444290

GTIN 4065909100899

Verpakkingseenheid 1

Electrical data | Supply

Operating voltage AC min. 6 V
 Operating voltage AC max. 32 V
 Operating voltage DC min. 6 V
 Operating voltage DC max. 32 V
 Current operating per contact max. 4 A

Diagnostics

Status indication LED no

Installation | Connection

Gender male

Device protection | Electrical

Pollution Degree 2
 Rated surge voltage 0,8 kV
 Material group (IEC 60664-1) III
 Additional suppressor without components

Mechanical data | Material data

Material gasket Silicon
 Locking material Stainless steel 1.4305 (V2A)

Mechanical data | Mounting data

Mounting method inserted, screwed, Shaking protection
 Looking techniques Snap-in connector

Environmental characteristics | Climatic

Operating temperature min. -25 °C
 Operating temperature max. 85 °C
 Additional condition temperature range depending on cable quality

Important installation notes

Note on strain relief Protect the connectors by suitable measures from mechanical loads, e.g. by the usage of cable ties.
 Note on bending radius **Attention:** Observe the permissible bending radii when laying cables, as the IP protection class can be endangered by excessive bending forces.

Installation | Cable

wire arrangement (white, brown), (yellow, green)
 Cable identification 804
 Jacket Color violet
 Type of Certificate cURus
 Amount stranding 1
 Stranding 4 wires around Filler twisted
 Cable shielding (type) copper braid, tinned
 Cable shielding (coverage) 85 %
 Banding Fleece, Foil
 Filler yes

wire arrangement (white, brown), (yellow, green)
 Cable weight 97,9 g/m
 Material jacket PUR
 Shore hardness jacket 90 Shore A
 Freedom from ingredients (jacket) lead-free, cadmium-free, CFC-free, halogen-free, silicone-free
 Outer-diameter (jacket) 8,2 mm
 Tolerance outer diameter (sheath) ± 5 %
 Material wire insulation PE

Amount wires	4
Outer diameter insulation	2,4 mm
Outer diameter tolerance core insulation	± 5 %
Shore hardness wire insulation	65 Shore D
Ingredient freeness wire insulation	lead-free, CFC-free, halogen-free
Amount strands (wire)	30
Diameter of single wires	0,15 mm
Conductor crosssection (wire)	0,5 mm ²
Material conductor wire	Stranded copper wire, bare
Conductor type (wire)	strand class 6
Nominal voltage AC max.	50 V
Current load capacity (standard)	to DIN VDE 0298-4
Current load capacity min. wire	7,2 A
Electrical resistance line constant wire	39 Ω/km @ 20 °C
AC withstand voltage (wire - wire)	1,5 kV @ 60 s
Power frequency withstand voltage (wire - jacket)	1,5 kV @ 60 s
AC withstand voltage (wire - shield)	1,5 kV @ 60 s
Min. operating temperature (static)	-40 °C
Max. operating temperature (fixed)	80 °C
Operating temperature min. (dynamic)	-30 °C
Operating temperature max. (dynamic)	70 °C
Flame resistance	IEC 60332-2-2 UL 1581 § 1100 FT2 UL 1581 § 1090
chemical resistance	Good, application-related testing
Gasoline resistance	Good, application-related testing
Oil resistance	DIN EN 60811-404 Good, application-related testing
Bending radius (fixed)	6 x Outer diameter
Bending radius (dynamic)	8 x Outer diameter
No. of bending cycles (C-track)	5 Mio. @ 25 °C
Travel speed (C-track)	3 m/s @ 25 °C