

A16 Hood, high profile, IP65

Single locking lever, top entry M25

A16

Hood (high)

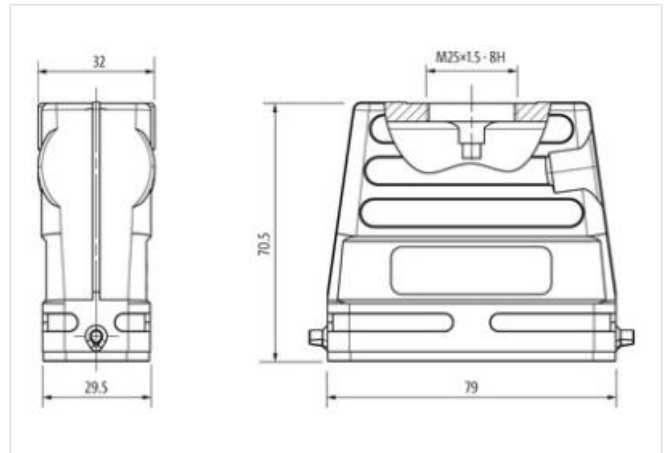
Single locking lever

IP65

Technical data will be only guaranteed with Murrelektronik components.

[Link naar het product](#)

Afbeelding



Product van afwijken van afbeelding

Commerciële gegevens

ECLASS-6.0	27143424
ECLASS-6.1	27261203
ECLASS-7.0	27440202
ECLASS-8.0	27440202
ECLASS-9.0	27440202
ECLASS-10.1	27440202
ECLASS-11.1	27440202
ECLASS-12.0	27440202
ETIM-5.0	EC000437
Douane tarief nummer	85389099
GTIN	4048879644006
Verpakkingseenheid	1

Installation

Cable outlet	straight
--------------	----------

Installation | Connection

Mounting set	M25
Mating cycles min.	500

Device protection | Electrical

Degree of protection (EN IEC 60529)	IP65
Additional condition protection degree	inserted, locked, with screw connection

Mechanical data

Housing type	Hood
--------------	------

Mechanical data | Material data

Coating housing	powder-coated
Coating locking	verzinkt
Material gasket	CR
Material housing	Aluminum die casting
Locking material	Steel

Mechanical data | Mounting data

Size	A16
Height	70,5 mm
Width	32 mm
Depth	79 mm
Locking techniques	Single locking lever

Environmental characteristics | Climatic

Operating temperature min.	-40 °C
Operating temperature max.	100 °C
Climatic category (EN IEC 60068-1)	40/100/21