

B10 Hood, IP68

Screw locking, side entry M32

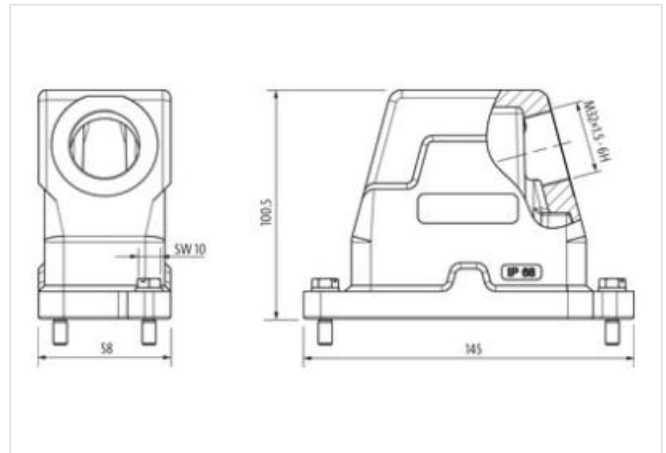
B10

Hood

Screw locking

IP68

Technical data will be only guaranteed with Murrelektronik components.

[Link naar het product](#)**Afbeelding**

Product van afwijken van afbeelding

Commerciële gegevens

| | |
|----------------------|---------------|
| ECLASS-6.0 | 27143424 |
| ECLASS-6.1 | 27261203 |
| ECLASS-7.0 | 27440202 |
| ECLASS-8.0 | 27440202 |
| ECLASS-9.0 | 27440202 |
| ECLASS-10.1 | 27440202 |
| ECLASS-11.1 | 27440202 |
| ECLASS-12.0 | 27440202 |
| ETIM-5.0 | EC000437 |
| Douane tarief nummer | 85389099 |
| GTIN | 4048879647397 |
| Verpakkingseenheid | 1 |

Installation

Cable outlet laterally

Installation | Connection

| | |
|--------------------|------|
| Tightening torque | 4 Nm |
| Mounting set | M32 |
| Mating cycles min. | 500 |

Device protection | Electrical

| | |
|--|---|
| Degree of protection (EN IEC 60529) | IP68 |
| Additional condition protection degree | inserted, locked, with screw connection |

Mechanical data

Housing type Hood

Mechanical data | Material data

| | |
|------------------|----------------------|
| Coating housing | powder-coated |
| Material gasket | Silicon |
| Material housing | Aluminum die casting |
| Locking material | Stainless steel |

Mechanical data | Mounting data

| | |
|-----------------|---------------|
| Size | B10 |
| Mounting method | Screw locking |
| Height | 100,5 mm |
| Width | 58 mm |
| Depth | 145 mm |

Environmental characteristics | Climatic

| | |
|------------------------------------|-----------|
| Operating temperature min. | -40 °C |
| Operating temperature max. | 125 °C |
| Climatic category (EN IEC 60068-1) | 40/125/21 |