

M12 male 0° D-cod. / RJ45 male 0° shielded

TPE 22AWG SF/UTP CAT5e gn UL/CSA. ITC/PLTC 20m

Ethernet CAT5

Plastic housings with good resistance against chemicals and oils.

Male straight – male straight

Transmission properties with channel transmission up to 100 m

M12 – RJ45, 4-pole

D-coded

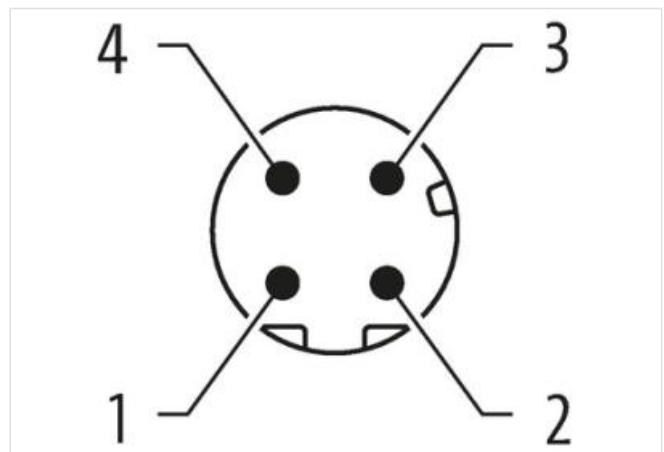
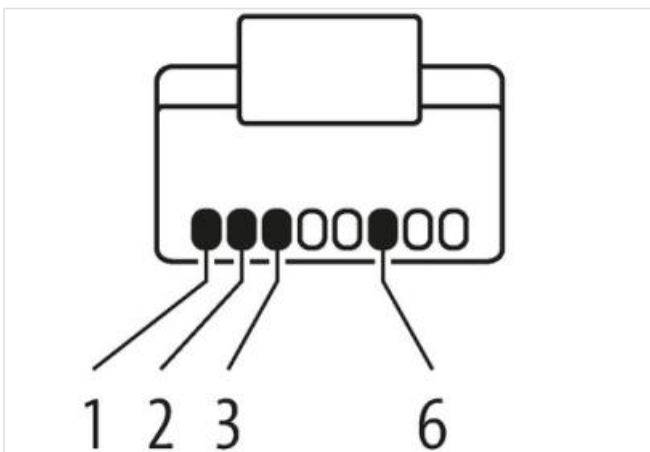
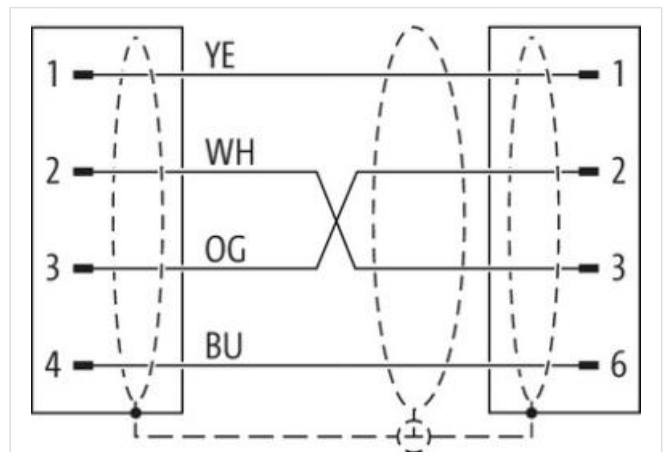
shielded

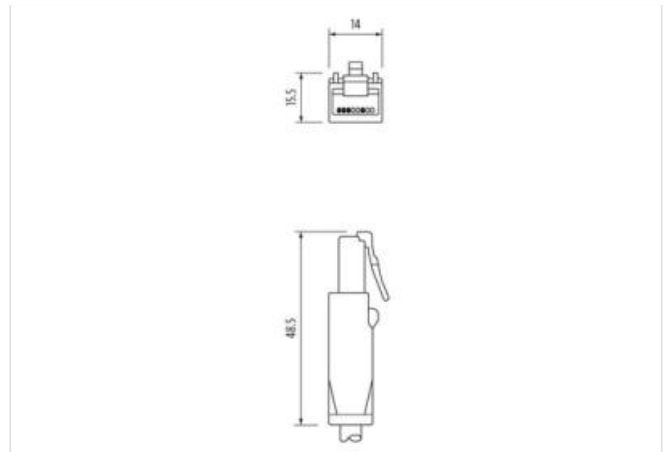
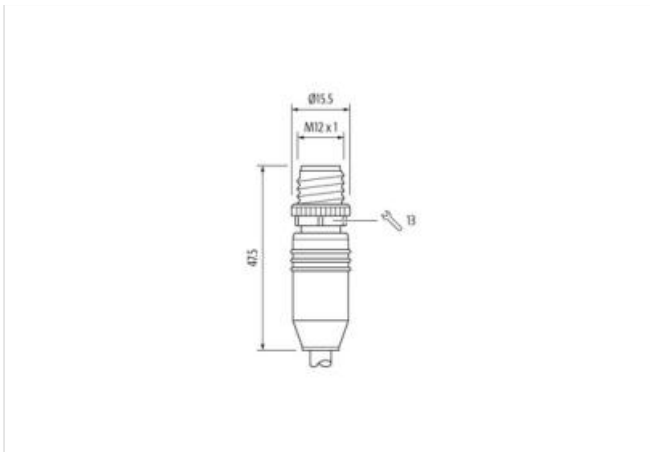
USA

without cable sleeves

Protection cap

Further cable lengths on request.

[Link to Product](#)**Illustration**



Product may differ from Image



Cable length 20 m

Side 1

Mounting method	inserted, screwed
Family construction form	M12
Thread	M12 x 1
Cable outlet	straight
Coding	D
No. of poles	4
Width across flats	SW13
Degree of protection (EN IEC 60529)	IP67

Side 2

Mounting method	pluggable
Family construction form	RJ45
Cable outlet	straight
No. of poles	4
Degree of protection (EN IEC 60529)	IP20

Commercial data

ECLASS-6.0	27061801
ECLASS-6.1	27060307
ECLASS-7.0	27060307
ECLASS-8.0	27060307
ECLASS-9.0	27060307
ECLASS-10.1	27060307
ECLASS-11.1	27060307
ECLASS-12.0	27060307
ETIM-5.0	EC002599
customs tariff number	85444290
GTIN	4048879703314
Packaging unit	1

Electrical data | Supply

Operating voltage DC max.	60 V
Operating voltage DC (UL-listed)	30 V

Current operating per contact max. 1,5 A

Industrial communication

Transfer parameters CAT5, Class D (ISO/IEC 11801:2002), (EN 50173-1)
Data transmission rate max. 100 MBit/s

Industrial communication | Ethernet functionality

duplex Full duplex

Device protection | Electrical

Pollution Degree 3
Rated surge voltage 1 kV
Material group (IEC 60664-1) I

Environmental characteristics | Climatic

Operating temperature min. -25 °C
Operating temperature max. 85 °C
Additional condition temperature range depending on cable quality

Important installation notes

Note on strain relief Protect the connectors by suitable measures from mechanical loads, e.g. by the usage of cable ties.
Note on bending radius **Attention:** Observe the permissible bending radii when laying cables, as the IP protection class can be endangered by excessive bending forces.

Conformity

Product standard DIN EN 61076-2-101 (M12)

Installation | Cable

wire arrangement (white, blue), (orange, yellow)
Cable identification S7V
Jacket Color green
Type of Certificate cURus
Amount stranding 2
Stranding 2 wires twisted
Amount stranding (type 2) 1
Stranding (type 2) 2 Stranded joints twisted
Cable shielding (type) copper braid, tinned
Cable shielding (coverage) 75 %
Banding Foil
wire arrangement (white, blue), (orange, yellow)
Cable weighth 74,8 g/m
Material jacket TPE
Freedom from ingredients (jacket) lead-free, CFC-free
Outer-diameter (jacket) 7,87 mm
Tolerance outer diameter (sheath) ± 5 %
Material wire insulation HDPE
Amount wires 4
Outer diameter insulation 1,47 mm
Outer diameter tolerance core insulation ± 5 %
Ingredient freeness wire insulation lead-free, CFC-free
Amount strands (wire) 19
Diameter of single wires 22 AWG
Conductor crosssection (wire) 22 AWG
Material conductor wire copper stranded wire, tinned
Nominal voltage AC max. 600 V
Current load capacity (standard) to DIN VDE 0298-4
Current load capacity min. wire 4,8 A
Electrical resistance line constant wire 45,1 Ω/km
Min. operating temperature (static) -40 °C

Max. operating temperature (fixed)	80 °C
Operating temperature min. (dynamic)	-40 °C
Operating temperature max. (dynamic)	80 °C
Storage temperature min.	-40 °C
Storage temperature max.	80 °C
Flame resistance	IEC 60332-2-2 UL 1581 § 1100 FT2 UL 1581 § 1090
chemical resistance	Good, application-related testing
Gasoline resistance	Good, application-related testing
Oil resistance	Good, application-related testing DIN EN 60811-404
Bending radius (dynamic)	2 x Outer diameter
No. of bending cycles (C-track)	35 Mio.
No. of torsion cycles	5 Mio.
Torsion stress	± 180 °/m