

M12 fem.recept. A-cod. rear/RJ45 male 0° shielded

TPE 4x2x24AWG SF/UTP CAT5e bu UL/CSA. CM 1.5m

Ethernet CAT5

The resistance to aggressive media should be individually tested for your application. Further details on request.

Flange female straight – male straight

M12 – RJ45, 8-pole

M12, A-coded

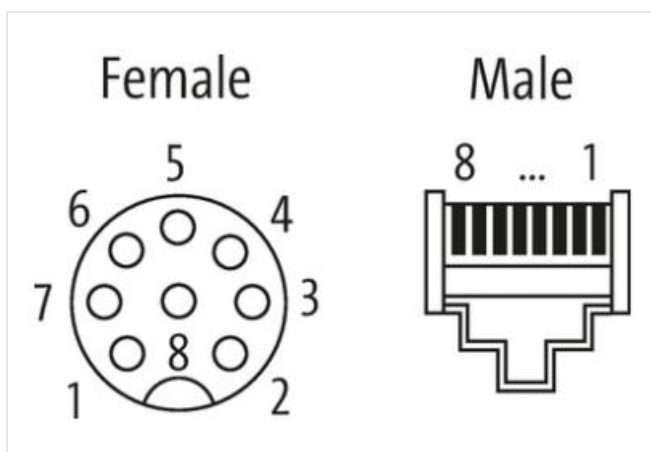
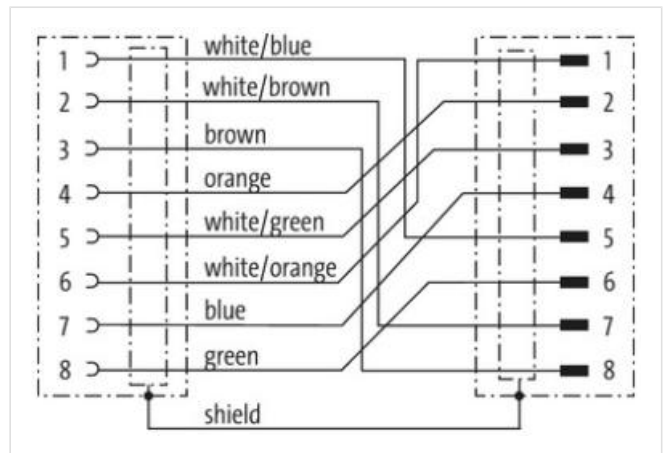
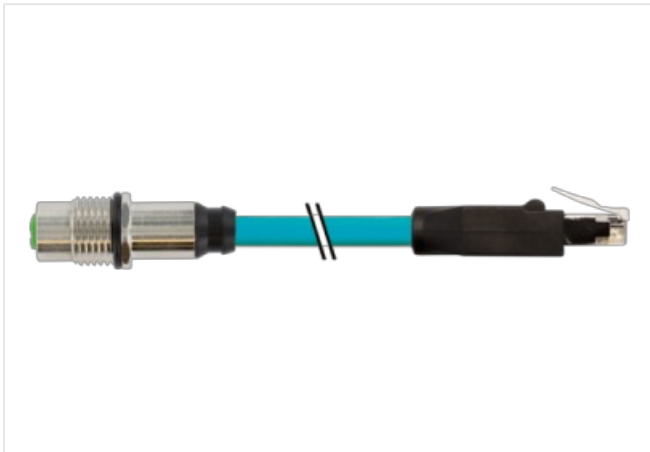
shielded

Rear mounting

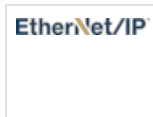
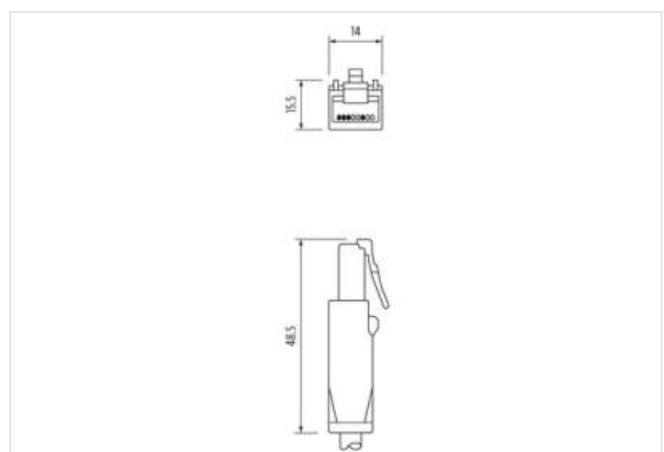
Protection cap

Further cable lengths on request.

Plastic housings with good resistance against chemicals and oils.

[Link naar het product](#)**Afbeelding**

Product van afwijken van afbeelding



Cable length 1,5 m

Side 1

Mounting method inserted, screwed
 Family construction form M12
 No. of poles 8

Side 2

Mounting method inserted, screwed
 Family construction form RJ45
 No. of poles 8

Commerciële gegevens

ECLASS-6.0 27061801
 ECLASS-7.0 27061801
 ECLASS-8.0 27061801
 ECLASS-9.0 27061801
 ECLASS-10.1 27060307
 ECLASS-11.1 27060307
 ECLASS-12.0 27060307
 ETIM-5.0 EC002599
 Douane tarief nummer 85444290
 GTIN 4048879682978
 Verpakkingseenheid 1

Electrical data | Supply

Operating voltage AC max. 60 V
 Operating voltage DC max. 60 V

Industrial communication

Transfer parameters CAT5, Class D (ISO/IEC 11801:2002), (EN 50173-1)
 Data transmission rate max. 1000 MBit/s

Device protection | Electrical

Pollution Degree 2
 Rated surge voltage 0,8 kV
 Material group (IEC 60664-1) I

Environmental characteristics | Climatic

Operating temperature min. -25 °C
 Operating temperature max. 85 °C
 Additional condition temperature range depending on cable quality

Important installation notes

Note on strain relief Protect the connectors by suitable measures from mechanical loads, e.g. by the usage of cable ties.
 Note on bending radius **Attention:** Observe the permissible bending radii when laying cables, as the IP protection class can be endangered by excessive bending forces.

Installation | Cable

wire arrangement (orange-white, orange), (blue-white, blue), (brown-white, brown), (green-white, green)
 Cable identification S4W
 Jacket Color blue
 Type of Certificate cURus
 Amount stranding 4
 Stranding 2 wires twisted
 Stranding (type 2) 4 Stranded joints twisted
 Banding Foil
 wire arrangement (orange-white, orange), (blue-white, blue), (brown-white, brown), (green-white, green)
 Cable weight 74,8 g/m
 Material jacket TPE

| | |
|---|--|
| Freedom from ingredients (jacket) | lead-free, CFC-free |
| Outer-diameter (jacket) | 7,6 mm |
| Tolerance outer diameter (sheath) | ± 5 % |
| Material wire insulation | HDPE |
| Amount wires | 8 |
| Outer diameter insulation | 1,17 mm |
| Outer diameter tolerance core insulation | ± 5 % |
| Ingredient freeness wire insulation | lead-free, CFC-free |
| Amount strands (wire) | 7 |
| Diameter of single wires | 24 AWG |
| Conductor crosssection (wire) | 24 AWG |
| Material conductor wire | copper stranded wire, tinned |
| Nominal voltage AC max. | 300 V |
| Current load capacity (standard) | to DIN VDE 0298-4 |
| Current load capacity min. wire | 4 A |
| Electrical resistance line constant wire | 59 Ω/km @ 20 °C |
| AC withstand voltage (wire - wire) | 3 kV @ 60 s |
| Electrical capacity line constant (wire - wire) | 49000 pF/km |
| Power frequency withstand voltage (wire - jacket) | 3 kV @ 60 s |
| Min. operating temperature (static) | -40 °C |
| Max. operating temperature (fixed) | 80 °C |
| Operating temperature min. (dynamic) | -5 °C |
| Operating temperature max. (dynamic) | 70 °C |
| Flame resistance | UL 1581 § 1100 FT2 UL 1581 § 1090 IEC 60332-2-2 |
| chemical resistance | Good, application-related testing |
| Gasoline resistance | Good, application-related testing |
| Oil resistance | DIN EN 60811-404 Good, application-related testing |
| Bending radius (fixed) | 5 x Outer diameter |
| Bending radius (dynamic) | 10 x Outer diameter |
| No. of bending cycles (C-track) | 1 Mio. @ 25 °C |
| No. of torsion cycles | 3 Mio. 25 °C |
| Torsion stress | ± 270 °/m |