

**Mini (7/8) 4 pole, Male (Ext.) 0° w/ Cable**

TPE 4x16AWG ye UL/CSA, TC-ER

Male straight

7/8"

4-pole

Power cable

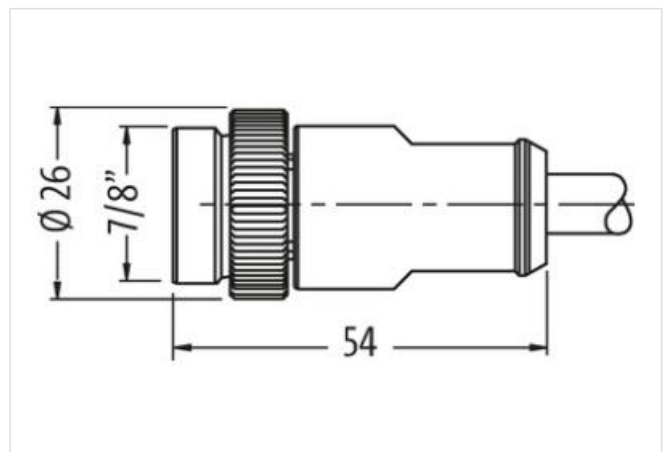
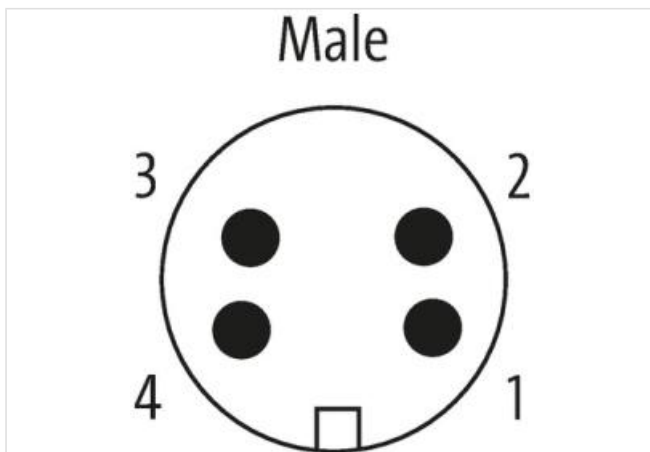
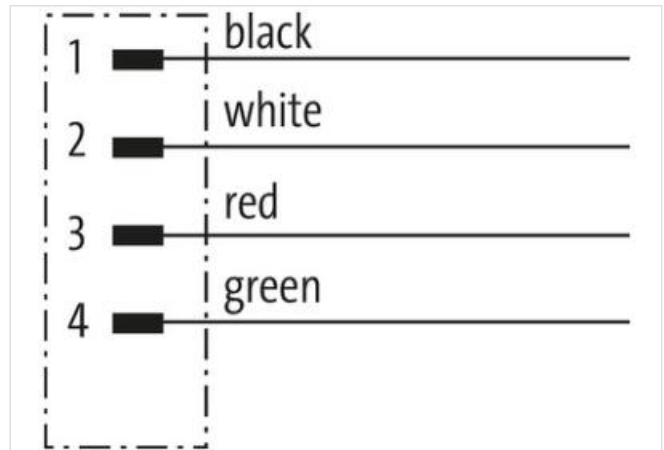
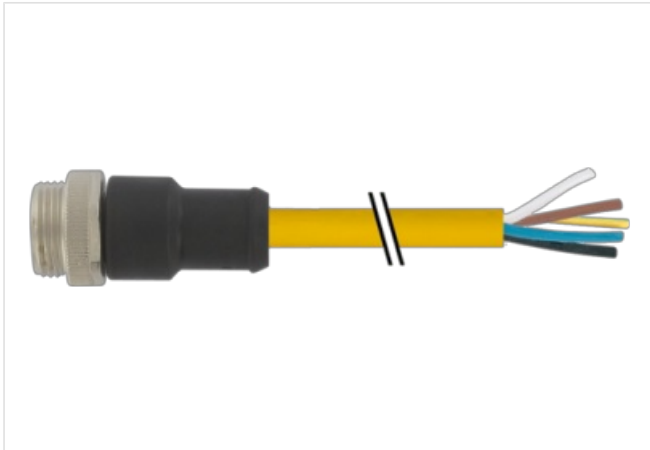
USA

without cable sleeves

Further cable lengths on request.

Plastic housings with good resistance against chemicals and oils.

The resistance to aggressive media should be individually tested for your application. Further details on request.

[Link to Product](#)**Illustration**

Product may differ from Image

**Side 1**

Tightening torque	1,5 Nm
Mounting method	inserted, screwed
Family construction form	7/8"
Thread	7/8"
suitable for corrugated tube (internal Ø)	17,8 mm

No. of poles	4
Width across flats	SW24
<b>Electrical data   Supply</b>	
Operating voltage AC max.	600 V
Operating voltage DC max.	600 V
Current operating per contact max.	10 A
<b>Diagnostics</b>	
Status indication LED	no
<b>Device protection   Electrical</b>	
Degree of protection (EN IEC 60529)	IP68
Additional condition protection degree	inserted, screwed
Pollution Degree	3
Rated surge voltage	4 kV
<b>Mechanical data   Material data</b>	
Material housing	PUR
<b>Mechanical data   Mounting data</b>	
Mounting method	inserted, screwed, Shaking protection
<b>Environmental characteristics   Climatic</b>	
Operating temperature min.	-25 °C
Operating temperature max.	80 °C
Additional condition temperature range	depending on cable quality
<b>Cable</b>	
No./diameter of wires	4x 1.5 mm <sup>2</sup>
Wire isolation	PVC (bk, gn, rd, wh)
Outer Ø	9.0 mm ±5%
Cable identification	U1C
Cable number	U1C
Approval (cable)	UL (AWM-Style 21002/1841), CSA
Cable weight [g/m]	117,7 g
Material wire	Cu wire, bare
Resistor (core)	max. 13.2 Ω/km (20 °C)
Single wire Ø (core)	0.16 mm
Construction (core)	65x 0.16 mm (multi-strand wire class 6)
Diameter (core)	4x 1.5 mm <sup>2</sup>
AWG	similar to AWG 16
Material wire isolation	PVC
Wire-Ø incl. isolation	2.6 mm ±5%
Color/numbering of wires	bk, gn, rd, wh
Stranding combination	4 cores twisted with 5 fillers
Shield	no
Material jacket	TPE
Outer-Ø (jacket)	9.1 mm ±5%
Color jacket	yellow
Jacket Color	yellow
chemical resistance	good resistance to oil, gasoline and chemicals
thermal resistance	flame retardant UL, FT4
Nominal voltage	600 V
Test voltage	6 kV spark test
Current load capacity	NEC (National Electric Code)
Temperature range (fixed)	-50...+105 °C
Temperature range (fixed)	-50...+105 °C

The information in this Product-PDF has been compiled with the utmost care.

Liability for the correctness completeness and topicality of the information is restricted to gross negligence. Version: 2024-06-26

Murrelektronik bv | Noorderlaan 147-b9 | B-2030 Antwerpen | Fon +32 (0)380 868 81 | Fax | shop@murrelektronik.be | shop.murrelektronik.be

Temperature range (mobile)	-20...+90 °C
Temperature range (mobile)	-20...+90 °C
Bending radius (fixed)	8× outer Ø
Bending radius (dynamic)	10× outer Ø
Bending radius (dynamic)	10× outer Ø
Torsion stress	±90°/m
Material jacket	TPE (UL/CSA)

**Commercial data**

customs tariff number	85444290
GTIN	4048879648103
Packaging unit	1