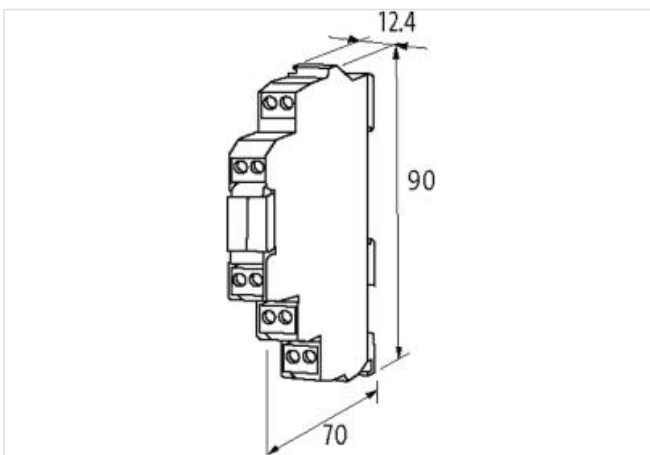
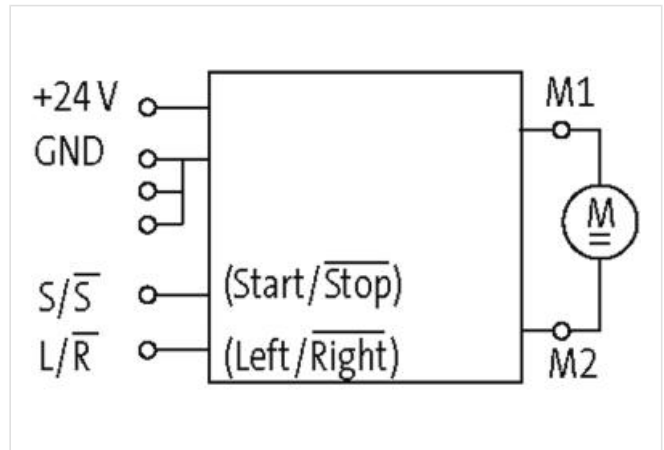


**DC-MOTOR COMMUTATING CIRCUIT**

IN: 24 VDC - OUT: 24 VDC / 3 A

[Link naar het product](#)**Afbeelding**

Product van afwijken van afbeelding

**General data**

Mounting method	DIN-rail mountable TH35 or G32 (EN 60715)
Temperature range	0...+50 °C
Test isolation voltage	no galvanic separation
Housing	Black plastic, flame retardant
Dimensions H×W×D	90×12.4×70 mm

**Output**

Leakage current (output is open)	max. 10 mA
Switching time ON/OFF	1.2/10 ms
LED display	LED (red): error (over current/over heated)
Saturation voltage (across output)	max. 1.4 V DC
Switching voltage	19.2...30 V DC
Changing time	max. 50 ms
Switching frequency	max. 1 Hz (motor dependant)
Highest current	approx. 6 A for 100 ms
Switching current per output	max. 3 A

Input	
Voltage range OFF	0...5 V DC
Voltage range ON	15...30 V DC
LED display	LED (yellow): right running; LED (green): left running
Input current	10 mA
Commerciële gegevens	
Douane tarief nummer	85414900
EAN	4048879027922
eClass	27371604
Land van oorsprong	CZ
Verpakkingseenheid	1.000